



# Hendrickson RTE

## Walking Beam

Hendrickson's RT and RTE series have been the Industry standard mechanical suspension for around 70 years. Design enhancements to improve weight, comfort, and durability, have left the basic format unchanged. Two beams connected to each Drive axle pivot on a central shaft, which is mounted by a multileaf springpack, and generally 2 torque arms.



② **32277**  
Pin Shackle 380 + 400  
1<sup>3</sup>/<sub>8</sub>" OD  
7-<sup>5</sup>/<sub>16</sub>" Length



⑦ **30057-008**  
Bush Spring Eye 380  
1<sup>3</sup>/<sub>8</sub>" ID  
1<sup>5</sup>/<sub>8</sub>" OD  
3<sup>15</sup>/<sub>16</sub>" Length



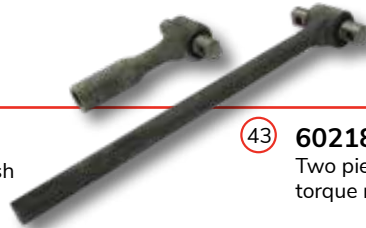
③① **49600**  
Centre Bush 380 + 400  
3-<sup>1</sup>/<sub>2</sub>" Small OD  
3-<sup>3</sup>/<sub>4</sub>" Large OD  
12" Length OD



④① **34013-073**  
Adaptor & Bush Kit 400  
contains 45900 End Bush  
21140-034 Adaptor



④② **45900**  
Beam End Bush  
380 + 400  
4-<sup>3</sup>/<sub>8</sub>" OD  
2-<sup>1</sup>/<sub>2</sub>" ID  
5-<sup>3</sup>/<sub>4</sub>" Length



④③ **60218-000**  
Two piece transverse  
torque rod kit

○ Relate to chart numbers on following page

## Torque Rods & Bushes



**44694**  
Torque Rod Bush Straddle  
2-<sup>17</sup>/<sub>32</sub>" OD  
4-<sup>3</sup>/<sub>8</sub>" Bolt Centre  
<sup>5</sup>/<sub>8</sub>" Bolt Hole



**44695**  
Torque Rod Bush Straddle  
2-<sup>3</sup>/<sub>4</sub>" OD  
4-<sup>3</sup>/<sub>8</sub>" Bolt Centre  
<sup>5</sup>/<sub>8</sub>" Bolt Hole



**44697**  
Torque Rod Bush Taper  
2-<sup>3</sup>/<sub>4</sub>" OD  
1-<sup>1</sup>/<sub>4</sub>" 12TPI Thread  
3" Taper Length



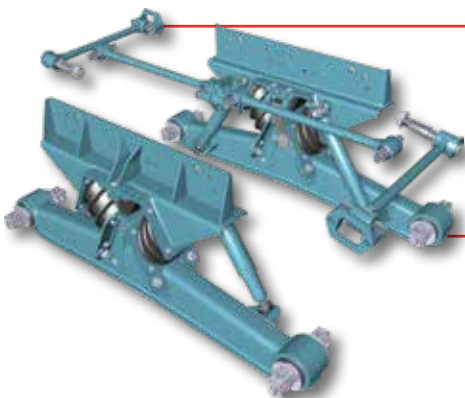
**45477**  
Bush Torque Rod  
3" OD  
1-<sup>1</sup>/<sub>8</sub>" ID  
3-<sup>1</sup>/<sub>4</sub>" Length



**47691**  
Bush Ultra Rod 400  
2-<sup>1</sup>/<sub>32</sub>" OD  
4-<sup>3</sup>/<sub>8</sub>" Bolt Centre  
<sup>5</sup>/<sub>8</sub>" Bolt Hole



**66610 + 66661**  
Two Piece End Straddle  
Ultra Rod



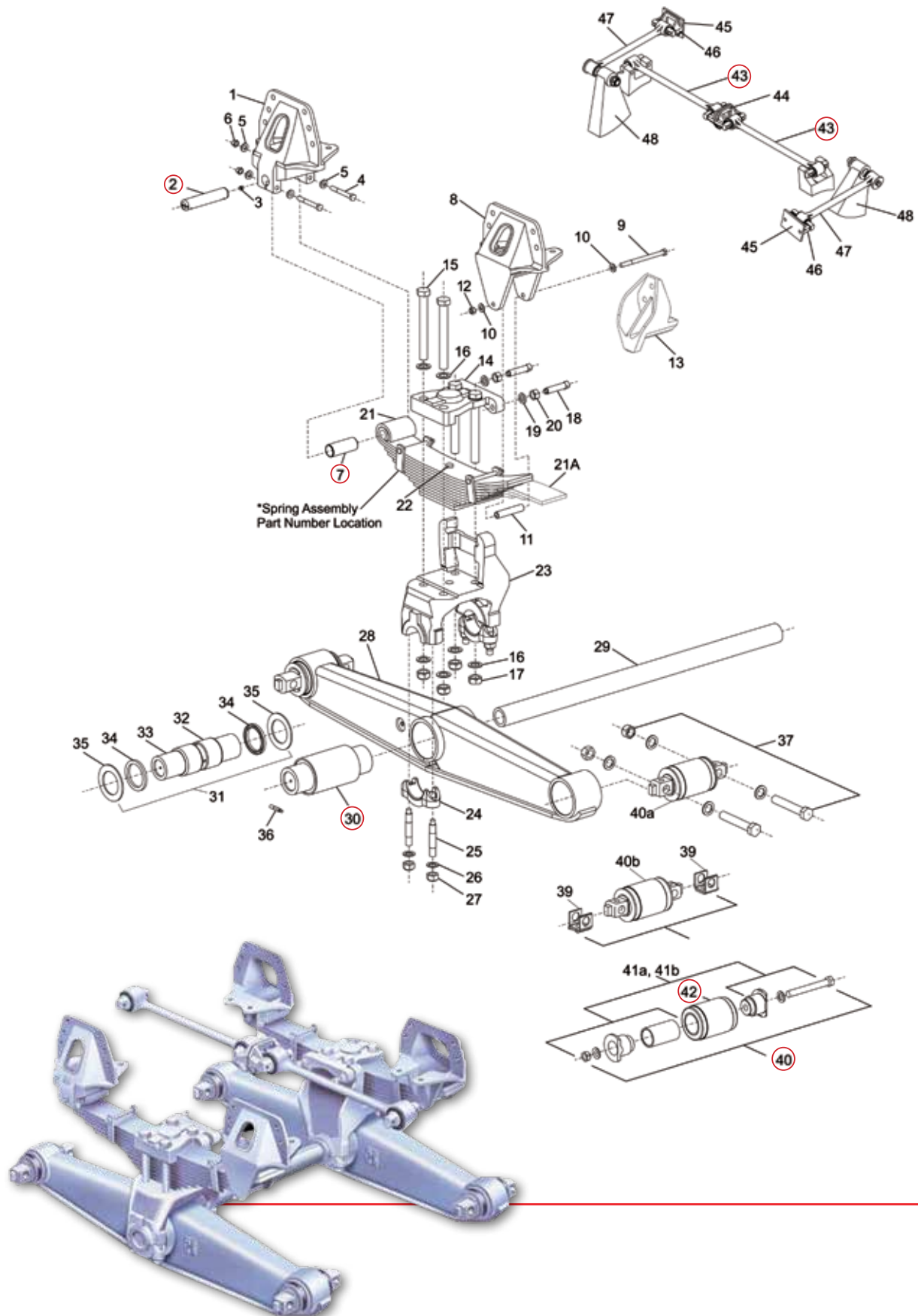
**60879-000**  
Spring Bolster Bush Set

The HN series uses light weight, diagonally mounted rubber bolster springs to achieve superior articulation and ride. The narrow profile equalizing beam reduces weight.



# Hendrickson RTE

## RTE Walking Beam



...for the long haul



# Hendrickson HAS

## HAS Series

### Hendrickson HAS Air suspension.

Lightweight for Line-haul, rugged durability for on- and off-highway applications.

Heavy-duty shocks incorporate rebound spring which limits rapid shock extension during acceleration.

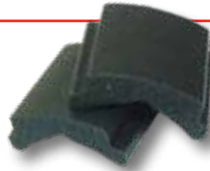
HAS 400, 402, 460: cross channels are formed from stamped steel.

HAS 40LH: extruded aluminium alloy cross channels reduce weight while maintaining strength.

Large volume air springs with rolling lobe design constantly adjust to changing road conditions to deliver superior ride quality.



① **58425-001**  
Hanger Bracket  
HAS Late  
Type C + D



⑦ **56929-000**  
Slipper Pad  
HAS

②-6 **49175-014**  
Rebound Roller Kit Axle Set



⑪ **47691-000L**  
Bushing Torque Rod Suits  
48411-006 HAS400  
62007365 HAS460

⑬ **47417-001**  
U-Bolt  $\frac{7}{8}$ " UNF x 16- $\frac{1}{4}$ "  
**47417-007**  
U-Bolt  $\frac{7}{8}$ " UNF x 15"  
**47417-008**  
U-Bolt  $\frac{7}{8}$ " UNF x 15- $\frac{1}{2}$ "



⑳ **56943-000**  
Z Spring Support Member  
1 $\frac{7}{8}$ " HAS400  
**56946-000**  
Z Spring Support Member  
2 HAS460



㉑ **58849-002L**  
Air Spring  
HAS400/402/460  
**50898-002L**  
Air Spring  
HAS 40LH



④⑧ **57977-000**  
Height control valve c/w  
dump



⑥① **60670-005L**  
Shock Absorber  
HAS 400 460 Std  
**60675-003L**  
Shock Absorber  
HAS 400 460 Hi Torque



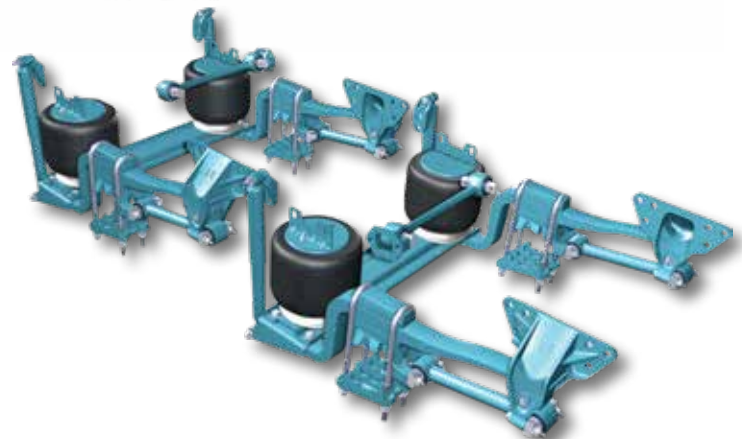
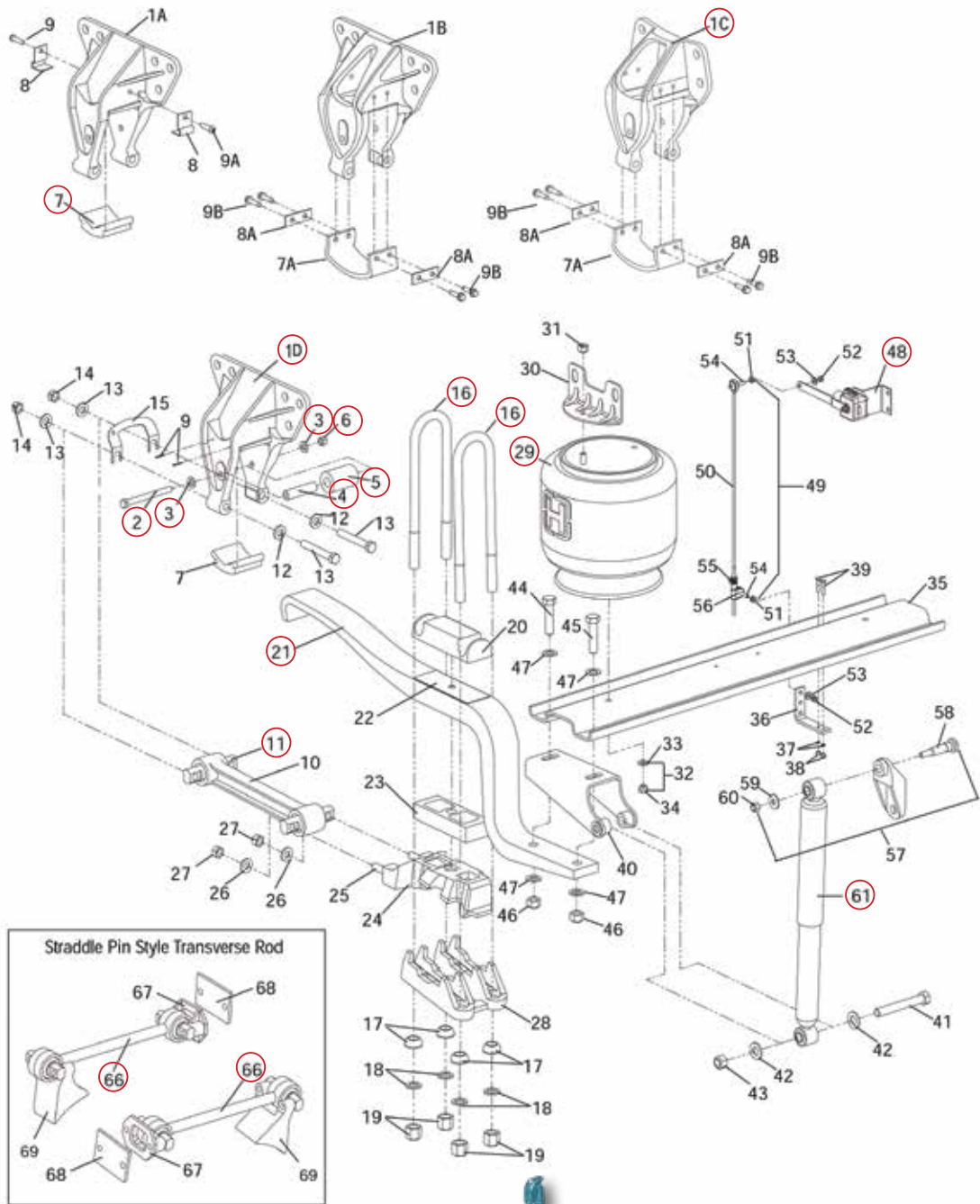
⑥⑥ **60218-000**  
Two piece transverse  
torque rod kit

○ Relate to chart numbers on following page



# Hendrickson HAS

## HAS Suspension



...for the long haul