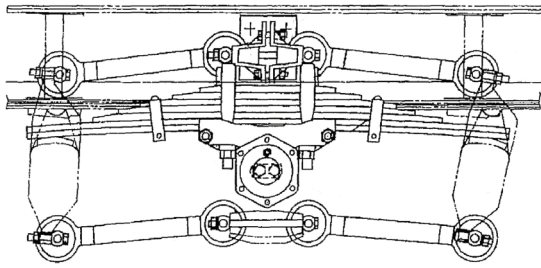
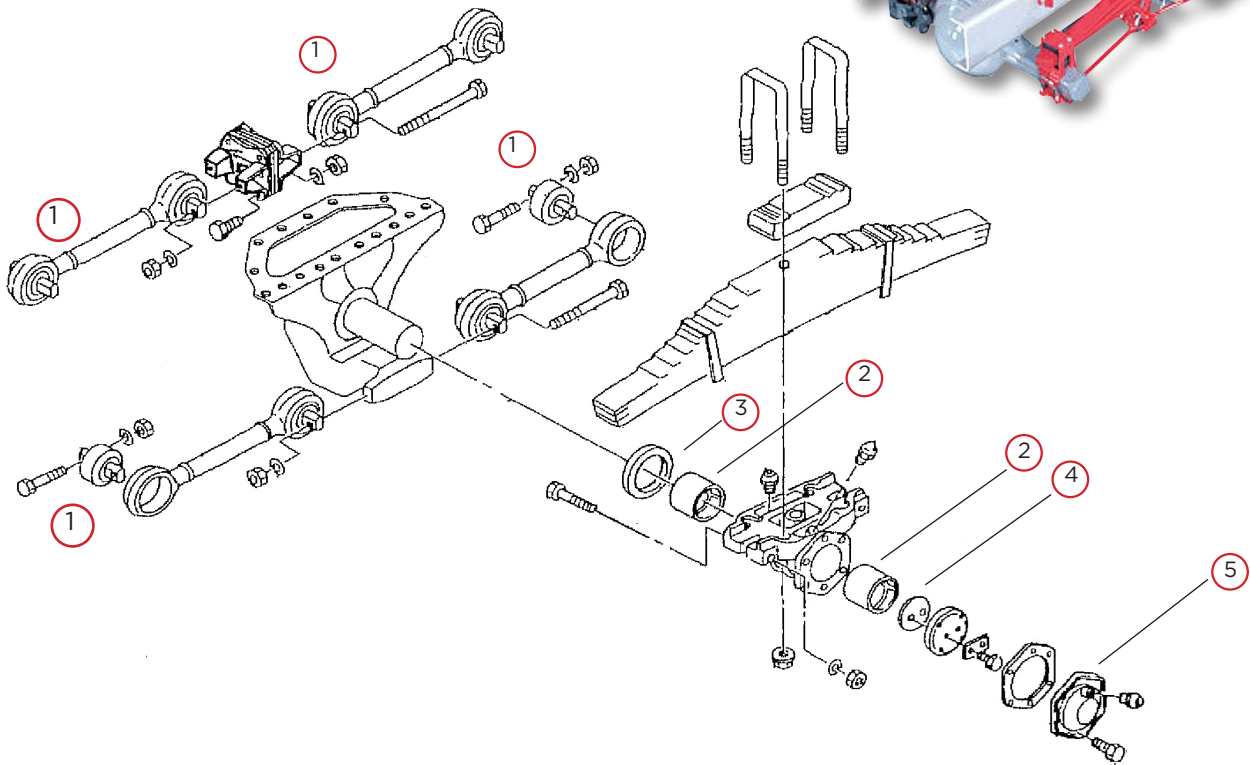
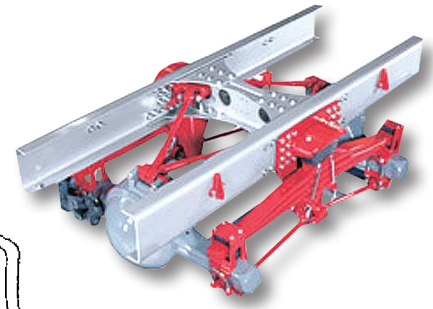


**JAPANESE 6 ROD**



Standard fitment for many trucks out of Asia fitted with mechanical suspension, the 6 rod has: 2 upper and 4 lower Torque Arm Assemblies; inverted low arch springs and is a robust suspension common on 6x4 tippers.



Item No	Description	Truck	Part No	Item No	Description	Truck	Part No
①	Bush Torque Rod 106mm	Fuso	MC554205	③	Seal Trunnion	Fuso	MC095475
		Hino	S40JJ-E0090			Isuzu	1513890050
		Isuzu	1515191130		Washer Trunnion	Fuso	MC095474
		Nissan	55542-00Z00	④	Washer Thrust	Isuzu	1513890580
②	Bush Trunnion	Fuso	MK300387	⑤	Cover	Fuso	MC095477
		Isuzu	1513860040			Isuzu	1513870100