

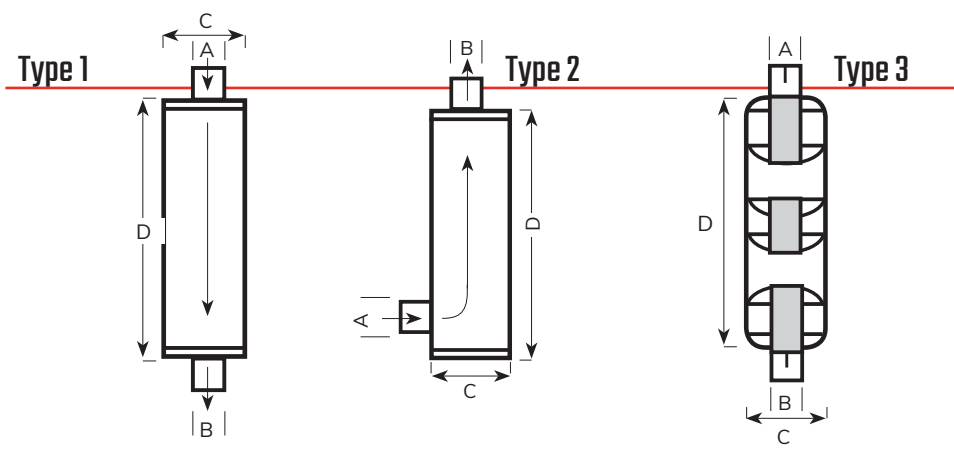


# Nelson Exhaust

## Mufflers



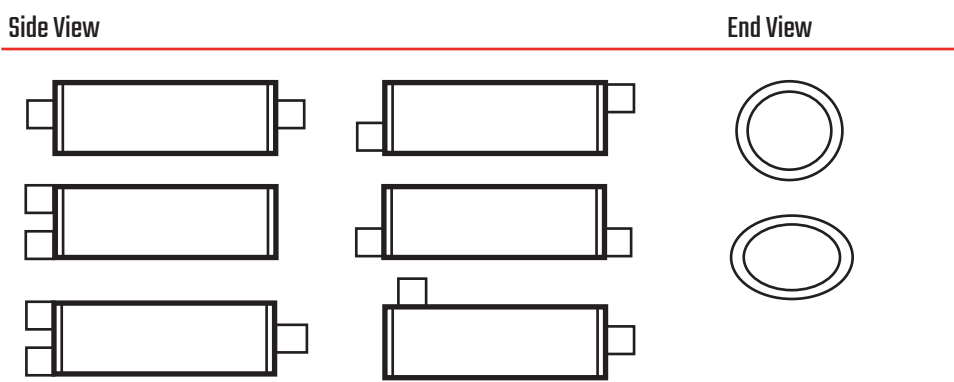
TYPE	P/N	Inlet ID	Outlet ID	Body Size	Body Length	Max Flow	
		A	B	C	D	2"Hg	3"Hg
1	86127M	102mm (4")	102mm (4")	216mm	874mm	2000	1670
1	86131M	102mm (4")	102mm (4")	229mm	1130mm	2000	1670
1	86102M	127mm (5")	127mm (5")	229mm	1130mm	2160	1800
1	86130M	127mm (5")	127mm (5")	257mm	1130mm	2300	1920
2	86672M	127mm (5")	127mm (5")	282mm	914mm	1900	1590
1	86786M	127mm (5")	127mm (5")	257mm	1130mm	1300	1920
3	M832-300R	76mm (3")	76mm (3")	203mm	817mm	Universal Reactive	
3	M936-500R	127mm (5")	127mm (5")	229mm	914mm	Universal Reactive	
1	M724-250A	63mm (2 1/2")	63mm (2 1/2")	178mm	610mm	Mid Range	
1	M724-300A	76mm (3")	76mm (3")	178mm	610mm	Mid Range	
1	M724-350A	89mm (3 1/2")	89mm (3 1/2")	178mm	610mm	Mid Range	



### TRT Muffler I.D.

For other muffler applications not shown note your dimensions and direction of flow on the diagrams below and fax or email to our nearest branch.

Truck	Year
Engine	Horizontal / Vertical Mount
Model	Turbo Yes / No



...for the long haul