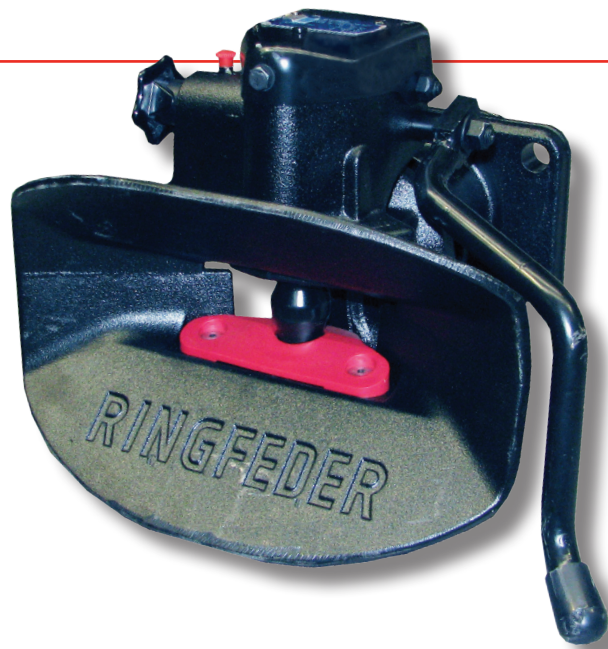
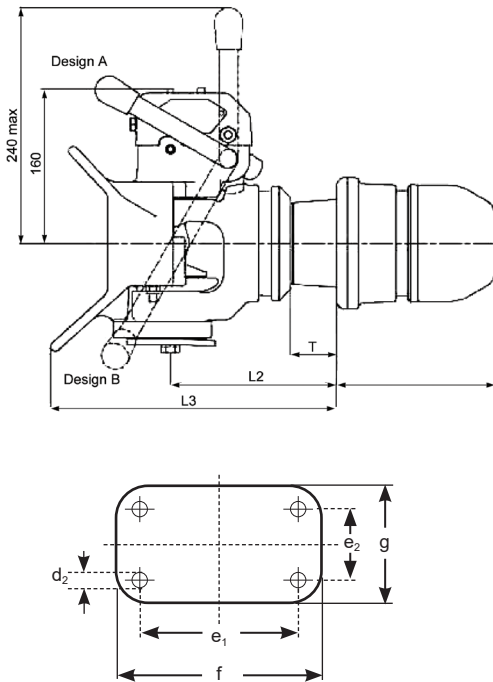


TRT. MADE POSSIBLE TRAILER COUPLINGS

RINGFEDER

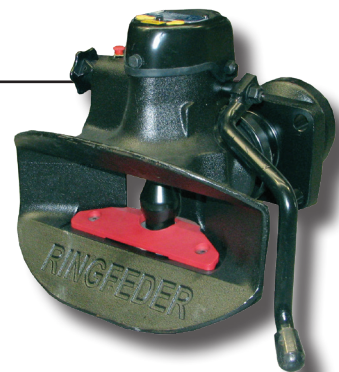


Model No	Toweye Size	D Value	Vert Load	Weight	Flange	Bolt Size	Torque	Nut Torque	Repair Kit
2050	50	190	2000	48	160x100	M20	410	500	14995340
92NZ	50	190	2500	50	160x100	M20	410	500	6990460KIT
5050BNZ	50	200	1000/2000	50	160x100	M20	410	500	14991632
4040G150A	40	137	1000	37	160x100	M20	410	500	14991328
4040G150B	40	137	1000	37	160x100	M20	410	500	14991328

92 (Short handle)



4040



Genuine Parts

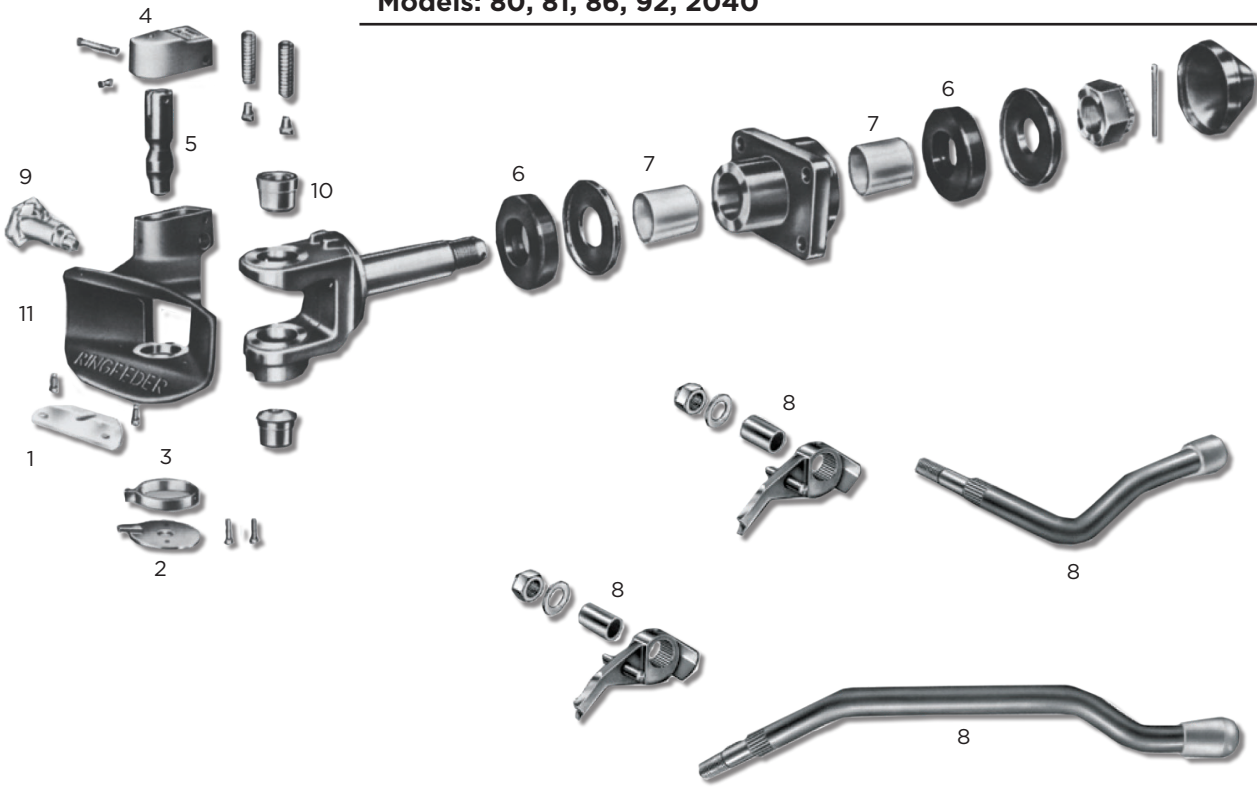


TRT MADE POSSIBLE

TRAILER COUPLINGS

40 + 50MM PARTS BREAKDOWN

Models: 80, 81, 86, 92, 2040



50MM PARTS BREAKDOWN

Models: 2050 4040 5050

