

**TRT** MADE POSSIBLE

**ROCKINGER**

**66000 SERIES**

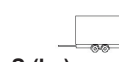
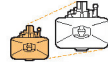
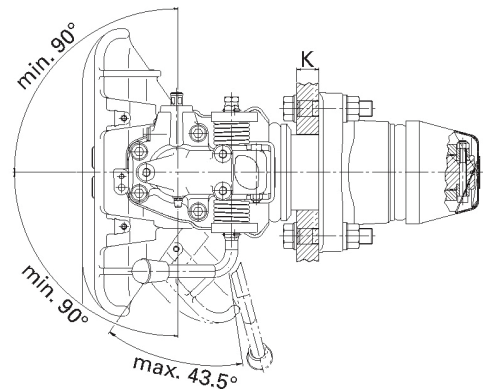
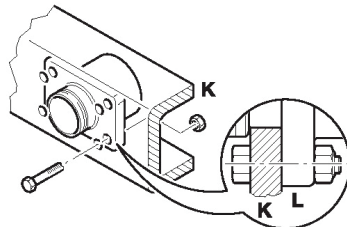
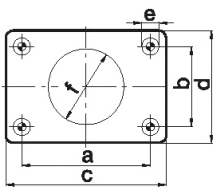
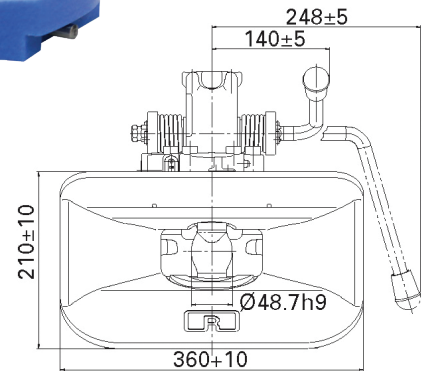
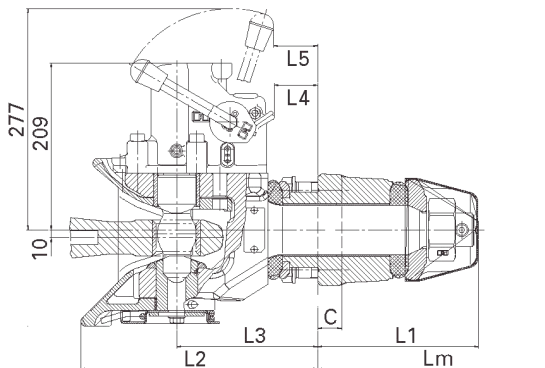
**ROCKINGER 66000 SERIES**

The Trailer Coupling for New Zealand conditions Rotating Pin for long service. Wide angle jaw for Jack kniving.



a = 50 DIN  
74053  
94/20/CE,  
ISO 1102,  
ROE 57005

Now with wear pad

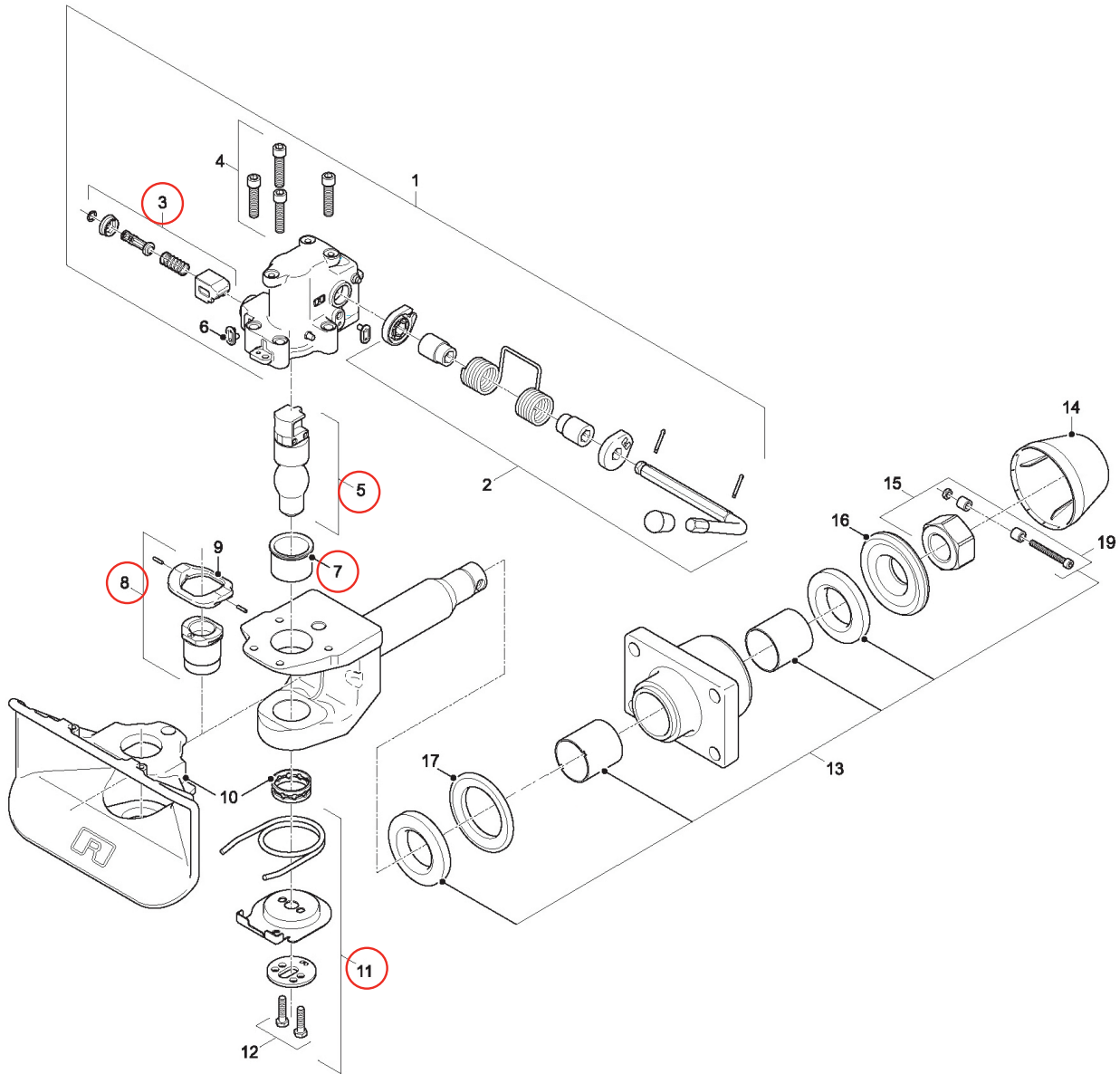


e1

|             | (mm) | D (kN) | Dc (kN) | S (kg) | V (kN) | (kg) |    |    |         |
|-------------|------|--------|---------|--------|--------|------|----|----|---------|
| RK500B66000 | B    | 6      | 160x100 | 200    | 140    | 1000 | 90 | 50 | 00-1844 |



**66000 SERIES SPARE PARTS**



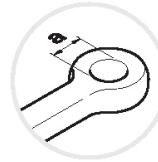
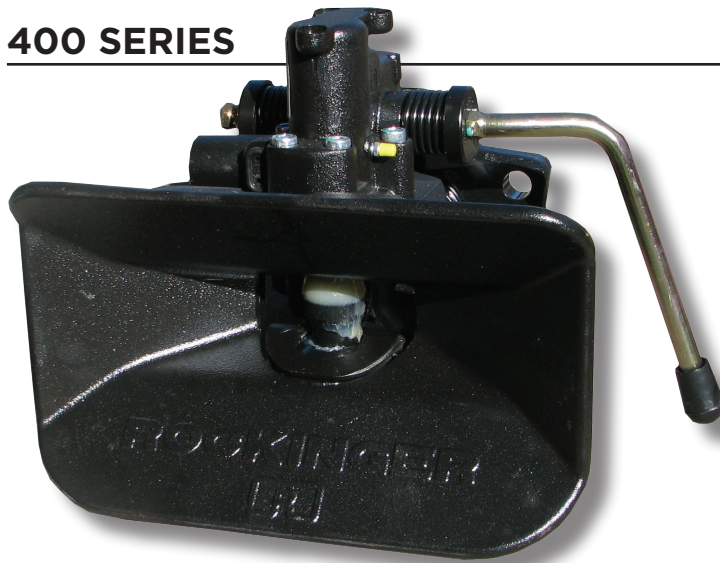
| Item | Part No. | Description                        | Item | Part No. | Description                    |
|------|----------|------------------------------------|------|----------|--------------------------------|
| 1    | 71442B   | Coupling Head Assy B66000          | 10   | 46145    | Funnel B66000                  |
| 2    | 71644B   | Handle Assy Long B66000            | 11   | 71331    | Kit Spring Plate B66000        |
| 3    | 27009    | Safety Catch B66000                | 12   | 30486    | Kit Bolts B66000 Spring Plate  |
| 4    | 30417    | Bolt Coupling Head                 | 13   | 71801    | Kit Trunion Bush B66000        |
| 5    | 47130    | Pin 50MM Rotating B66000 Coupling  | 14   | 25347    | Cap Plastic B66000 Trunion Nut |
| 6    | 25558    | Plug                               | 15   | 71802    | Kit Nut + Bolt B66000 Trunion  |
| 7    | 53604    | Bush Upper B66000                  | 16   | 59393    | Rear Plate B66000 Trunion      |
| 8    | 53637    | Kit Bush Lower + Wear Plate B66000 | 17   | 44177    | Front Plate B66000 Trunion     |
| 9    | 59428    | Kit Wear Plate B66000              | 19   | 30492    | Bolt B66000 Trunion            |

**3,5,7,8,11 71805 Kit Pin + Bush B66000 Major Rebuild**

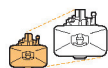
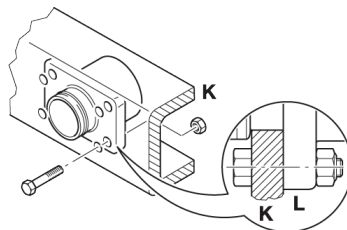
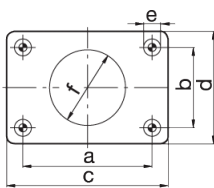
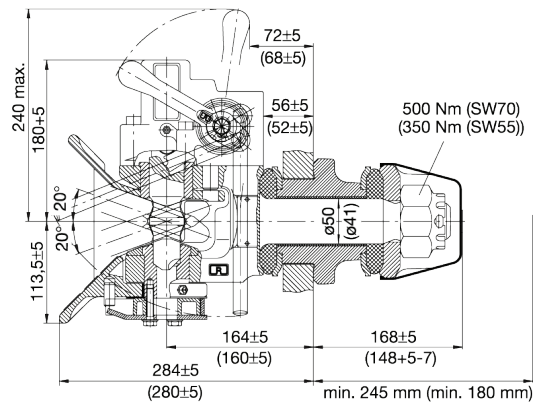
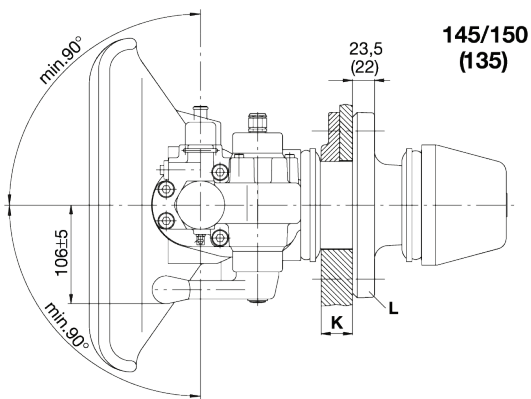
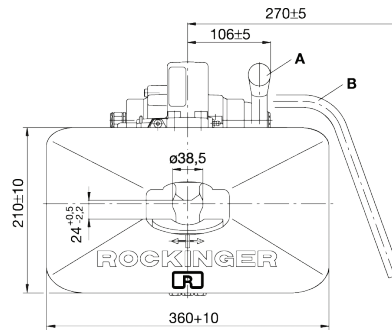
**TRT** MADE POSSIBLE

**ROCKINGER**

**400 SERIES**



a = 40 mm  
DIN 74054  
CE/94/20



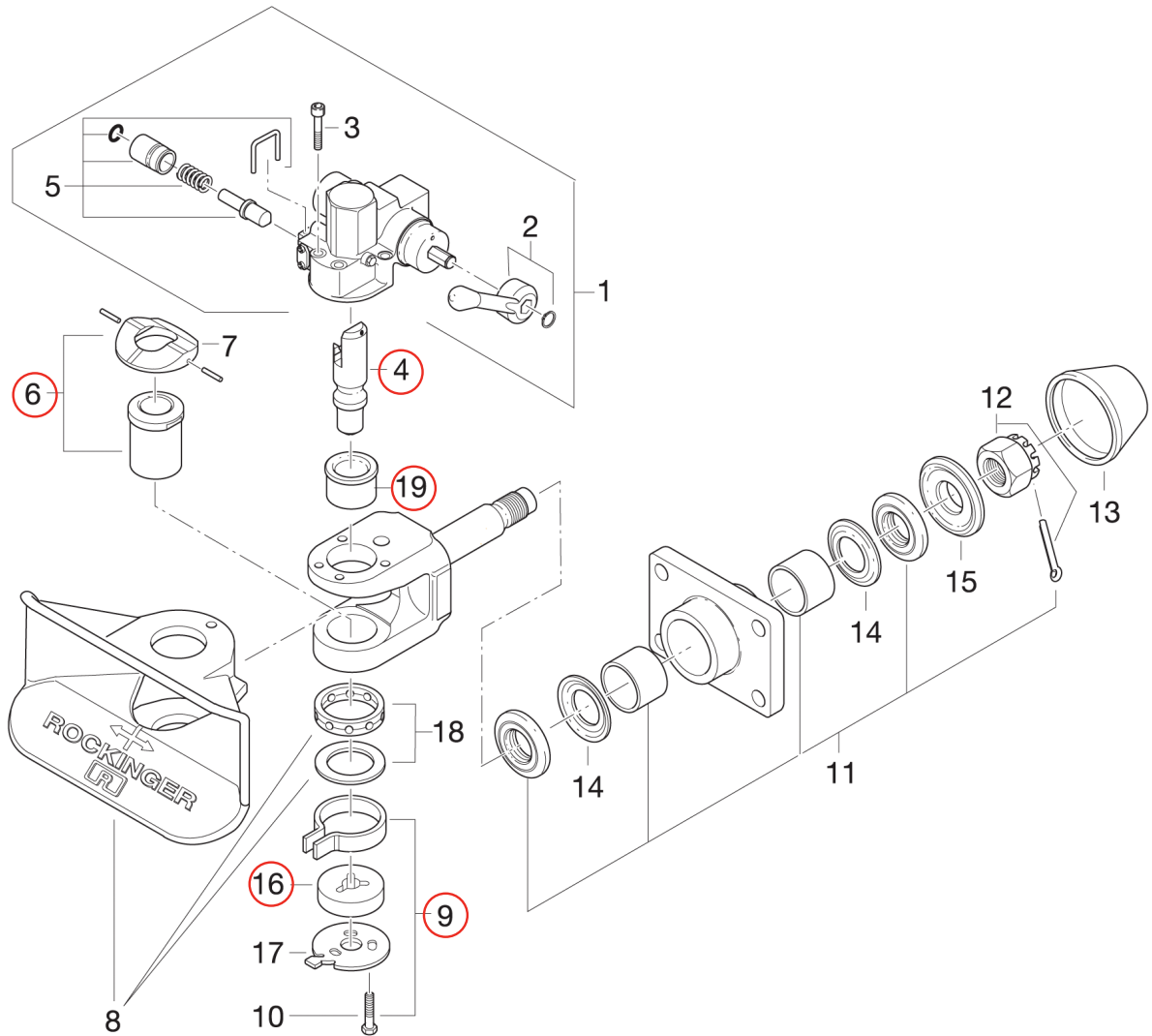
e1

| 400B5100 | B | 150 | 160x100 | 130 | 90,0 | 1000 | 35,0 | 35,0 | 00-0350 |
|----------|---|-----|---------|-----|------|------|------|------|---------|
|----------|---|-----|---------|-----|------|------|------|------|---------|

**ROCKINGER 400 SERIES WITH FULL PARTS BACK UP**



**400 SERIES SPARE PARTS**



| Item | Part No. | Description               | Remark     | Item | Part No. | Description              | Remark                     |
|------|----------|---------------------------|------------|------|----------|--------------------------|----------------------------|
| 1    | 70944    | Automatic Unit            | without 04 | 11   | 25477    | Bearing Repair Set       | for 46, 51                 |
| 2    | 70735    | Hand Lever                | B          | 12   | 56112    | Castle Nut               | for 46, 51, with split pin |
| 3    | 30361    | Screw Set                 |            | 13   | 25347    | Nut Cover                | for 46, 51                 |
| ④    | 47099    | Coupling Pin <sup>1</sup> |            | 14   | 44161    | Spring Caps Set          | for 46, 51                 |
| 5    | 70925    | Safety System             |            | 15   | 59280    | Conical Cap              | for 46, 51                 |
| ⑥    | 53519    | Lower Bush                | with 07    | ⑩    | 53467    | Guide Bush               |                            |
| 7    | 59278    | Support Ring <sup>2</sup> |            | 17   | 65626    | Base Plate               |                            |
| 8    | 70812    | Funnel                    | with 18    | 18   | 25479    | Bearing Rings for Funnel |                            |
| ⑨    | 55256    | Spring                    |            | ⑲    | 53520    | Upper Bush               |                            |
| 10   | 30362    | Screw Set                 |            | ○    | 71124    | Major Repair Kit         | 04, 06, 09, 16, 17, 19     |

**TRT TIP**

When replacing the coupling pin ④ check operation of the safety latch ⑤. Replace if required.