

TRT MADE POSSIBLE

PINTLE HOOKS, EYES & TWISTLOCKS

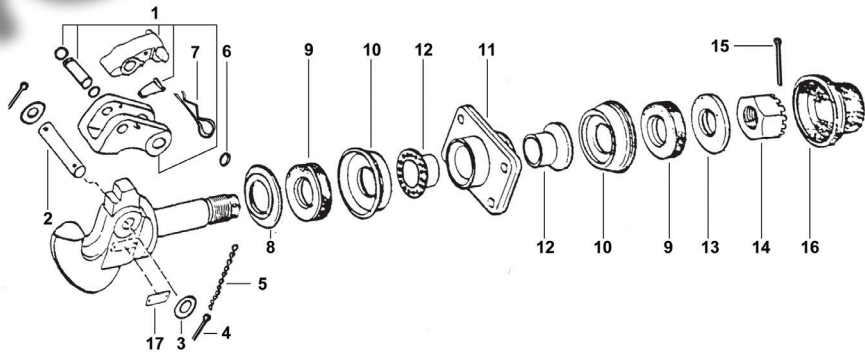
PINTLE HOOKS & EYES



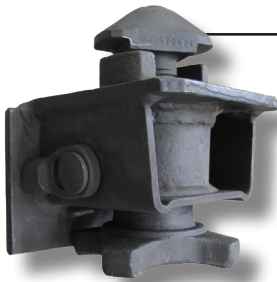
PH775E



PE1385 3"

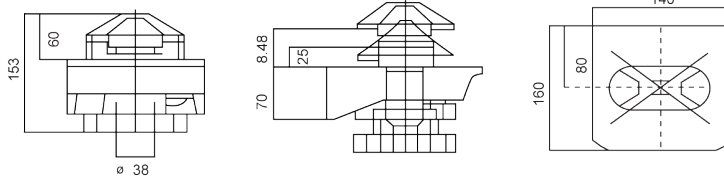


TWISTLOCK - SCREW TYPE

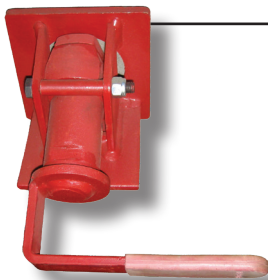


Style

JOST 14SKKN
MULTI TL6016

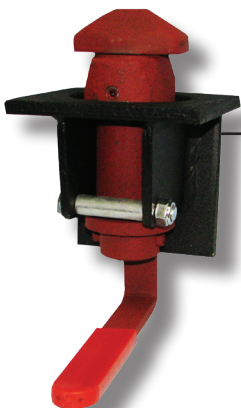
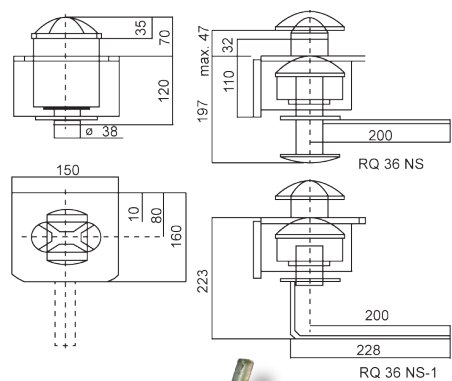


TWISTLOCK - LEVER TYPE



Style

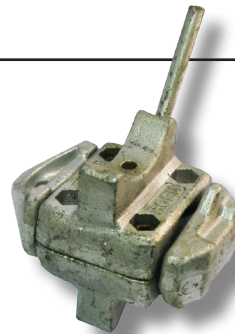
JOST RQ37NS
MULTI TI604



AMTL60128



AMTL60130



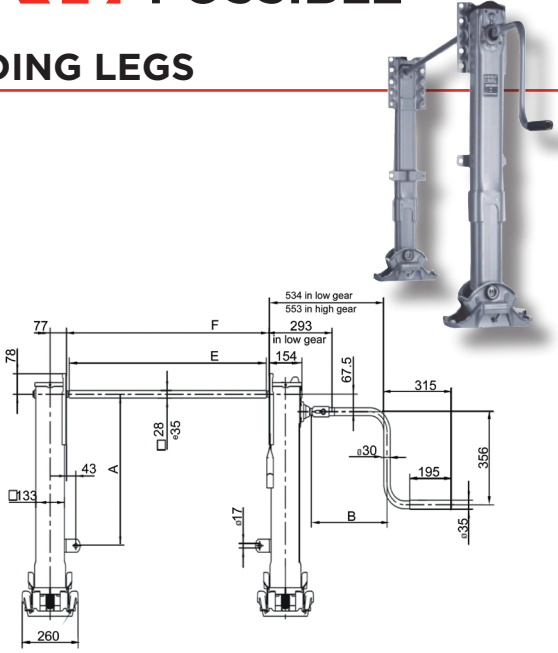
AMF633LC





LANDING LEGS

LANDING LEGS

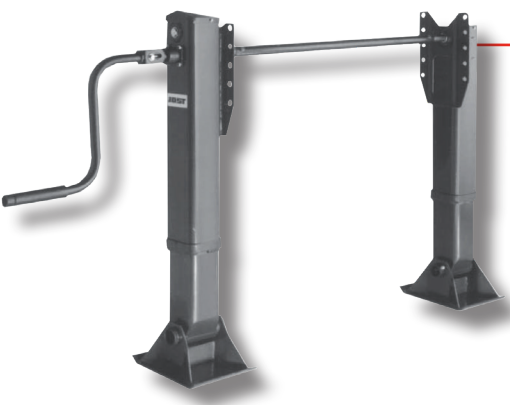


Technical Data

Lifting capacity	24t
Static load	50t
Lift per turn of handle low gear	0.9 mm
Lift per turn of handle high gear	15.0 mm
Crank force at 16t super imposed load	210N

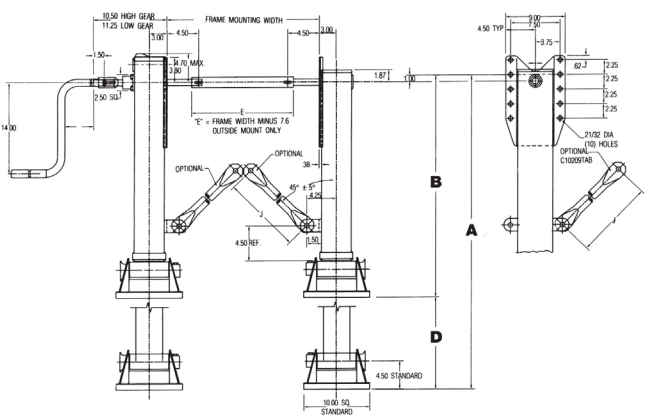
Installation Height

Model.	Height (mm)	Max. Lift (mm)
Modul 850	850 mm	520 mm
Modul 800	800 mm	470 mm
Modul 700	700 mm	400 mm



Load Capacities per pair

Lifting capacity	22t
Static load	72t
Side Load Capacity	13t



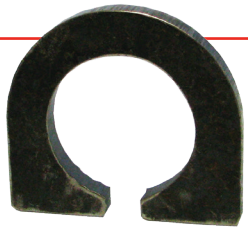
Just A400

Model.	Height (mm)	Max. Lift (mm)
14"	734 mm	355 mm
17"	803 mm	432 mm
19"	854 mm	483 mm

FERRY LASHINGS



Bolt On
TDFL16MMB



Weld On
TDFL16MM

