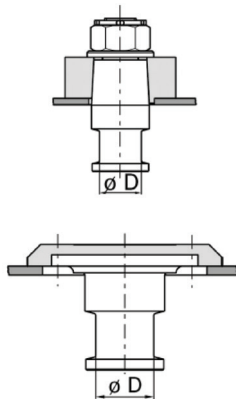




# Kingpins

## King Pin Identification

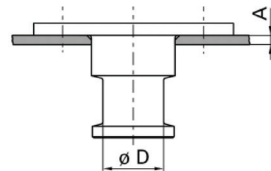


### Cone Shaped

Pins for retention plates with cone shaped locating hole (flange).

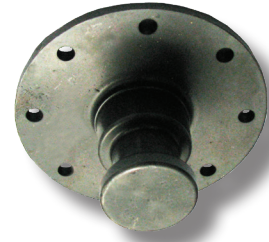
### Drop Out

Pins for dish-shaped retention plates. The pin is bolted to the retention plate and is easy to replace from underneath.

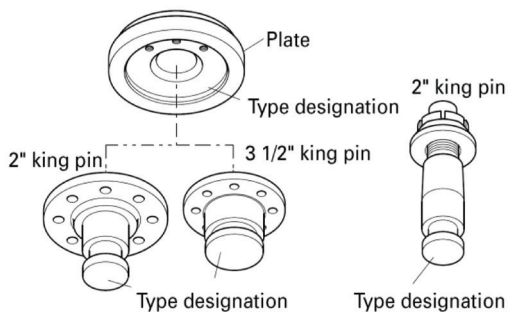


### DROP IN

Pins without a retention plate. The pin is bolted to the top plate.



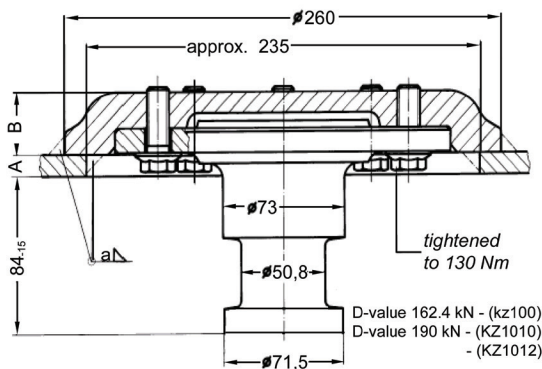
The respective type designation is stamped into the pin and the retention plate: (As shown).



### TRT TIP

Always replace mounting bolts each time you change the king pin. Torque to manufacturers settings.

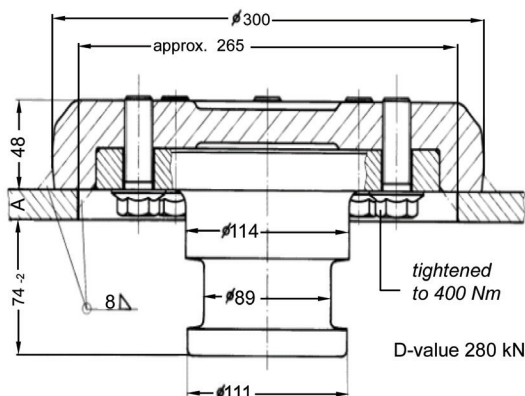
## KZ 1008, KZ 1012



Skid Plate Thickness	Part No.	Colour	Retention Plate	King Pin
8mm	KZ 1008	White	KZ 1008-02	KZ 1012-01
10mm	KZ 1010	Blue	KZ 1010-02	KZ 1012-01
12mm	KZ 1012	Yellow	KZ 1412-02	KZ 1012-01



## KZ 1016



Skid Plate Thickness	Part No.	Retention Plate	King Pin
16mm	KZ 1016	KZ 1016-04	KZ 1016-01



...for the long haul