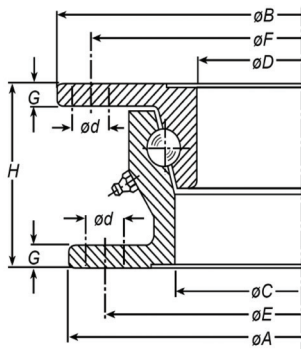




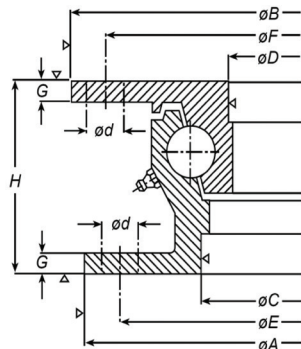
# Ballrace Turntables

## Ballrace



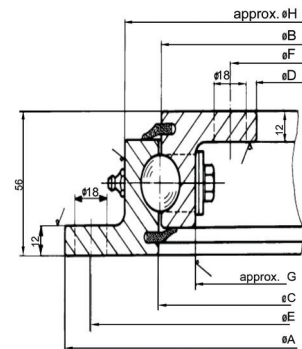
**HE**

For drawbar trailers and special trailers.



**SO**

For drawbar trailers and special trailers.

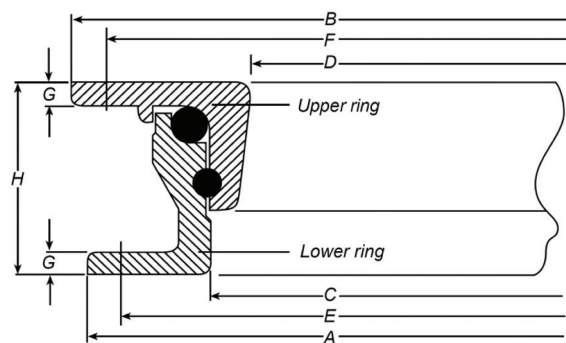


**KDL**

Low profile ballrace models

Models	A (mm)	B (mm)	C (mm)	D (mm)	E (mm)	F (mm)	G (mm)	H (mm)	d (mm)	Weight (kg)	Axial Load (kN)
HE 4	685	700	588	567	657	671	9	80		32	30
HE 5	880	895	783	762	852	866	9	80	16	43	50
HE 18-1000	100	1008	886	859	960	974	10	90		63	80
HE 18	1100	1108	986	956	1060	1074	10	90	18	69	100
HE 1000-22	1000	1008	886	859	960	974	10	90		63	100
HE 1200-22	1200	1208	1086	1059	1160	1174	10	90	18	76	130
SO 1000-24	987	1000	871	844	952	966	10	90		72	120
SO 1100-24	1095	1108	979	952	1060	1074	10	90	18	82	160
KDL 900-5	950	839	942	732	920	762	801	881		50	180
KDL 900-6	1050	939	942	832	1020	862	901	981		56	210

## BPW Double Row Ball Race



Models	A (mm)	B (mm)	C (mm)	D (mm)	E (mm)	F (mm)	G (mm)	H (mm)	Weight (kg)	Axial Load (kN)
DK 80/16	880	894	784	749.5	852	866	9	80	49	16000
DK 90/13	1095	1108	979	942	1060	1074	10	90	82	13000
DK 90/14	987	1000	871	834.0	952	966	10	90	72	14000
DK 90/20	1100	1108	979	942	1060	1074	10	90	82	20000



...for the long haul