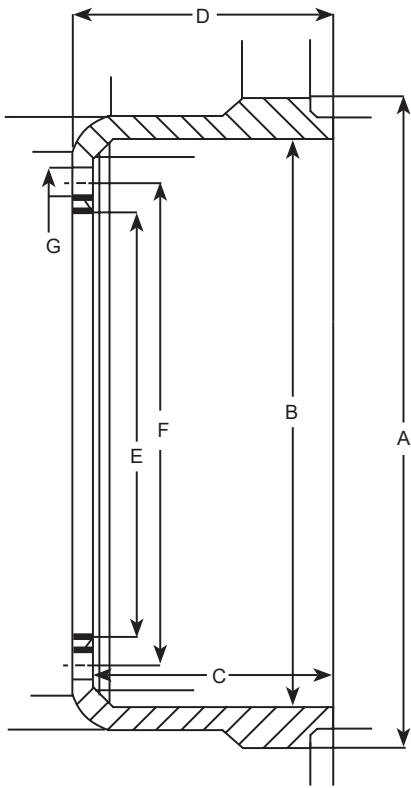


**DRUMS**



Axle Manufacturer's Name: \_\_\_\_\_ Model: \_\_\_\_\_

Drum Marks or Numbers: \_\_\_\_\_

Brake Size: \_\_\_\_\_

Hub Type: \_\_\_\_\_ Drum Mount: \_\_\_\_\_

Drum Type: \_\_\_\_\_

A - Overall Diameter: \_\_\_\_\_

B - Brake Surface Diameter: \_\_\_\_\_

C - Brake Surface Width: \_\_\_\_\_

D - Overall Depth: \_\_\_\_\_

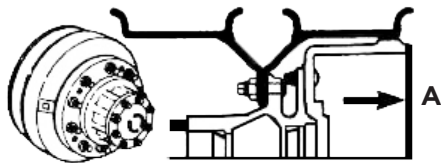
E - Pilot Diameter: \_\_\_\_\_

F - Bolt Circle Diameter: \_\_\_\_\_

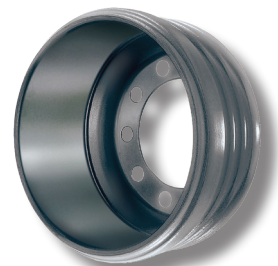
G - Number of Bolt Holes: \_\_\_\_\_

Bolt Hole Size: \_\_\_\_\_

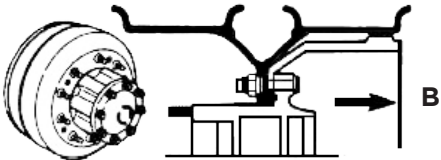
**DRUM TYPES**



**Inboard Mount**



**Centrifuse**



A = Inboard Mounted Drum  
B = Outboard Mounted Drum



**Outboard Mount**



**5/6 Spoke Demountable**

**TRUCK AND TRAILER DRUM DIMENSIONS**

Part No	Brake	Suits	Diam	Width	Deep	Spigot	PCD	Stud	Hole
03.109.44.02.0	300x150	BPW SN3015 17.5	300	166	190.0	210.0	225.0	10	23.0
787973/01	311x127	York 2954 17.5	311	145	174.0	178.0	225.0	10	25.2
63680	311x190	Dana Trailer 19.5	311	198.0	287.0	228.6	275.0	8	25.0
21018963	311x190	ROR TM 17.5	311	202	260.0	183.0	225.0	10	25.0
63617	311x190	Dana/Std Forge 17.5	311	214	232.0	216.0	254.0	3 & 6	16.8
63637	311x190	Dana/IMT 17.5	311	214	233.0	178.0	209.0	3 & 6	16.7
21211966	350x200	ROR BMX 17.5	350	210	260.0	226.0	225.0	8	24.5
21211030	350x200	ROR BMX 19.5	350	210	264.0	183.0	225.0	10	24.5
06.109.90.03.9	360x200	BPW Eco Plus 19.5	360	208	260.0	230.0	275.0	8	23.0
1.064.0280.00	367x180	SAF 9037 19.5	367	210	279.0	230.0	275.0	8	23.2
380180/8	381x178	IMT FE 19.5	381	207.7	270.0	228.6	275.0	8	25.0
380180/10	381x178	IMT FE 19.5	381	207.7	270.0	223.0	285.8	10	25.0
DR211	381x219	ROR 19.5	381	232.2	294.5	223.0	285.8	10	25.0
DT210	381x219	Dana Trailer 19.5	381	232.2	294.5	228.6	275.0	8	25.0
91725B	381x219	Intraxx CentriFuse 19.5	381	235	290.0	223.0	285.0	10	24.4
S27826	381x219	Intraxx CentriFuse 19.5	381	235	290.0	228.0	275.0	8	23.4
42512-4090	406x151	Hino FS FY Front	406	160	220.0	282.0	335.0	10	26.4
43512-4100	406x200	Hino FS FY Rear	406	228	283.0	282.0	335.0	10	25.6
1599-011	410x178	Volvo Rear 7"	410	215	294.0	282.0	335.0	10	28.0
3598B	419x127	US Truck Front	419	134	238.0	223.0	286.0	10	25.0
3706	419x127	US Truck Front	419	135	159.0	233.0	286.0	5 & 6	17.0
63447	419x127	IMT FW22 Spider	419	135	160.0	240.0	280.0	5	20.3
68985	419x127	IMT FW22	419	139	215.0	223.0	285.0	10	25.0
90600B	419x127	US Truck Front CentriFuse	419	148	234.0	223.0	285.8	10	31.8
66350	419x127	IMT FW22	419	154	233.0	286.0	335.0	10	24.5
21220183	419x178	ROR TE 22.5	419	187	237.0	282.0	335.0	10	24.5
3295A	419x178	Meritor Drive 5/6 Spoke	419	188	217.0	286.0	324.0	5 & 6	20.0
2983C	419x178	General 5/6 Spoke 22.5	419	192	202.0	240.0	280.0	5 & 6	20.0
2546C	419x178	Propar 5/6 Spoke 22.5	419	193	222.5	241.0	286.0	5 & 6	19.8
66884B	419x178	IMT/Meritor 22.5	419	193.5	268.2	223.0	285.8	10	25.0
66250B	419x178	IMT/General 22.5	419	194	269.0	286.0	335.0	10	24.6
21018986	419x178	ROR/General 22.5	419	197	247.0	283.0	335.0	10	24.3
89996B	419x178	IMT/Meritor Centri-Fuse	419	199	270.0	223.0	286.0	10	24.0
98815-006	419x219	Hendrickson Intraxx 22.5	419	231	289.0	223.0	335.0	10	25.4



**5 Spoke Sider Hub and Drum Assembly**



**10 Stud Hub and Drum Assembly**

