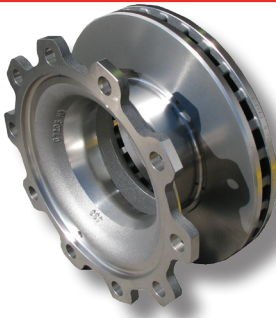


ROTOR ID



Axle Manufacturer's Name: _____ Model: _____

Rotor Marks or Numbers: _____

Brake Size: _____

Hub Type: _____ Rotor Mount: _____

Rotor Type: _____

A - Overall Diameter: _____

B - Brake Surface Width: _____

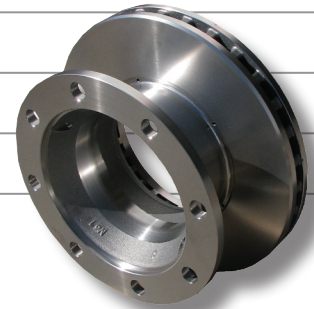
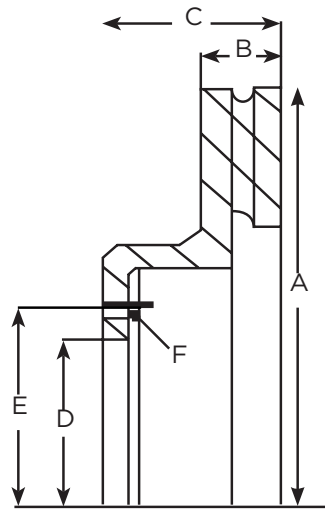
C - Overall Depth: _____

D - Pilot Diameter: _____

E - Bolt Circle Diameter: _____

F - Number of Bolt Holes: _____

Bolt Hole Size: _____



Part No	Description	Dia. mm	Width	Deep	Spig-ot	PCD	Stud
03 088 3403 7	BPW SB37545	377	45	160	230	275	8 23mm
03 088 3413 7	BPW SB37545	377	45	160		335	10 23mm
03 088 3404 7	BPW SB37545 ABS	377	45	160	290	335	10 23mm
2996329	Iveco Stralis	432	45	139	210	240	12 16mm
9434210312	Mercedes-Benz Actros Front	430	45	144	131	170	10 21mm
9424211212	Mercedes-Benz Actros Front & Rear	430	45	132	211	238	10 14mm
9064230112	Mercedes-Benz Sprinter Rear	303	28	93	120	145	6 15mm
21224263	Meritor ROR DX195/Elsa	378	45	150	225	275	8 24.5mm
21225115	Meritor ROR DX195/Elsa	378	45	154	222	250	10 16mm
4 079 0000 40	SAF 19.5 & 22.5 PAN19	377	45	157		275	8 24mm
4 079 0014 00	SAF 19.5 & 22.5 PAN19	377	45	157		275	8 28mm
4 079 0010 01	SAF 19.5	377	45	164		190	10 14mm
4 079 0016 00	SAF Integral Z19W	377	50	145		190	10 14mm
1402272	Scania 4 Series Front & Rear	430	45	131	203	235	10 16mm

