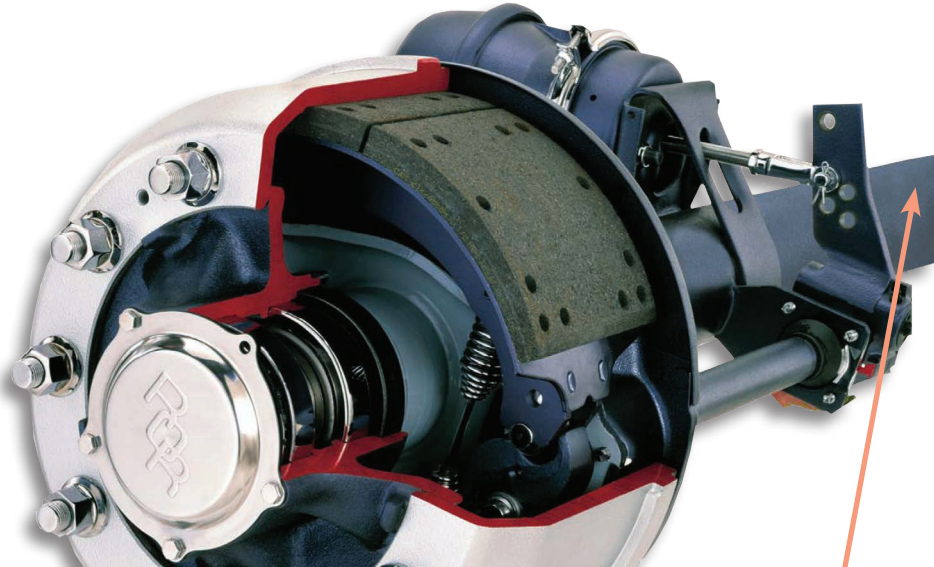


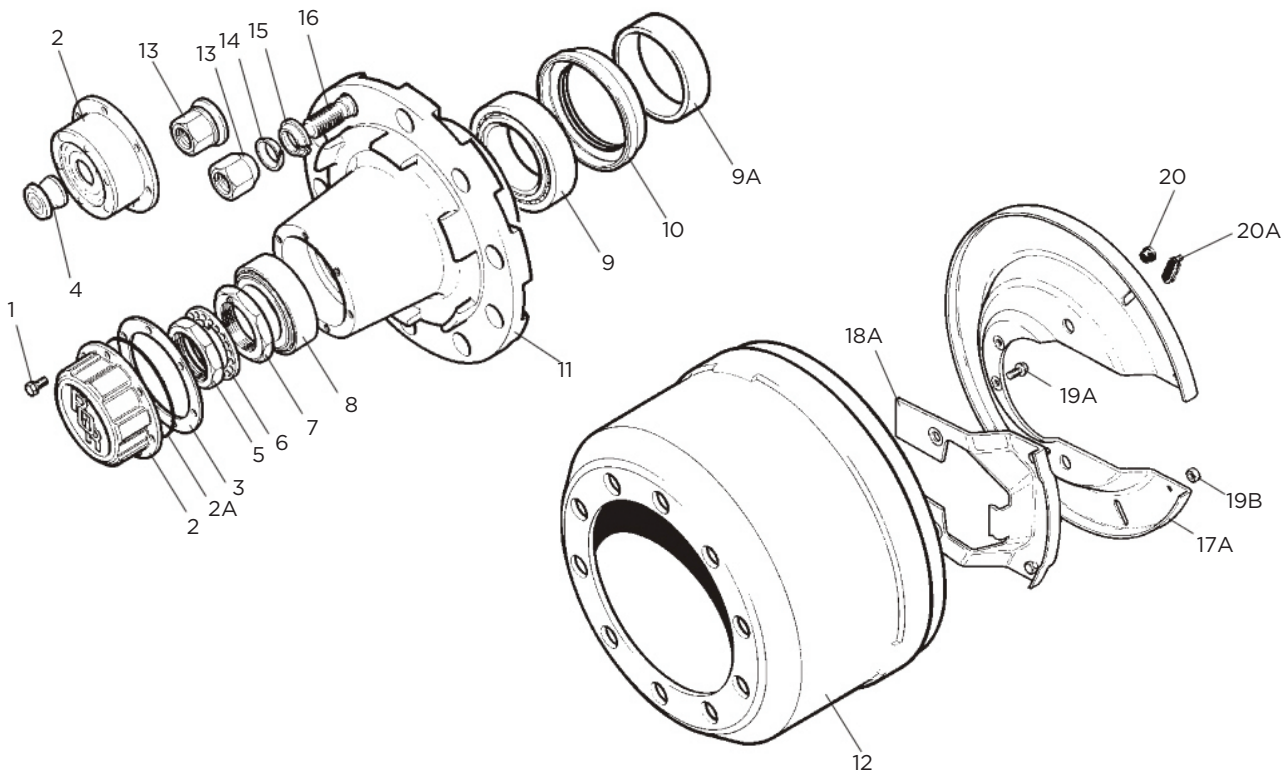
**MERITOR AXLE IDENTIFICATION**

All trailer axles have some form of ID Tag attached generally on the axle beam in the centre showing manufacturer, model, and serial no. which help us identify replacement parts.

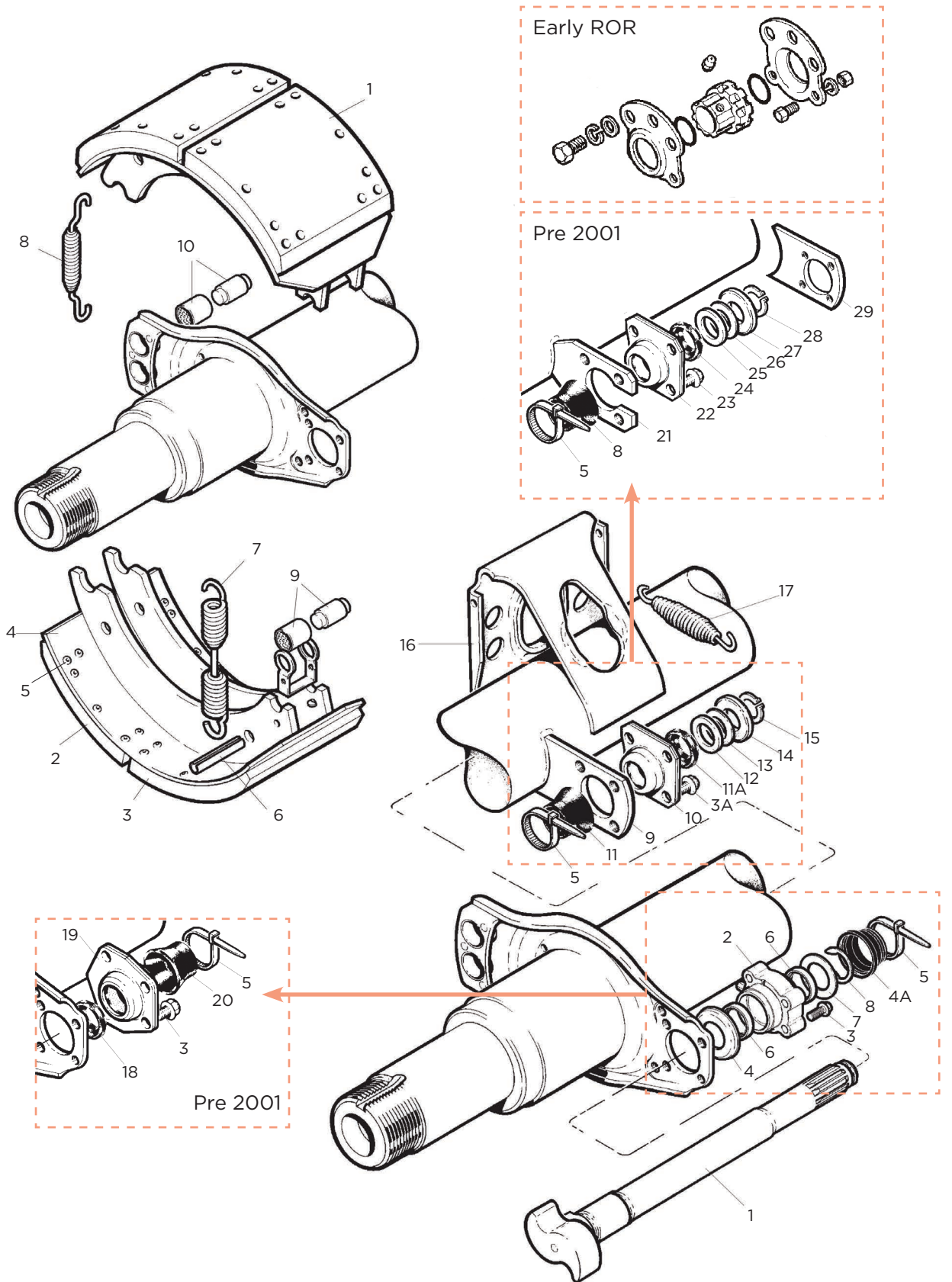


AXLE	TYPE	 <b>MERITOR</b> <i>We work for you.</i> WREXHAM LL12 0PB UK ASSEMBLED IN THE EEC
APPROVAL No P41ABS15STVZ0		
SERIAL No A999999 H97 0000		
NOM CAPACITY 9300 KG V MAX		
COMB CAPACITY 9300 KG 105 KM/H		

**ROR TM DRUM**



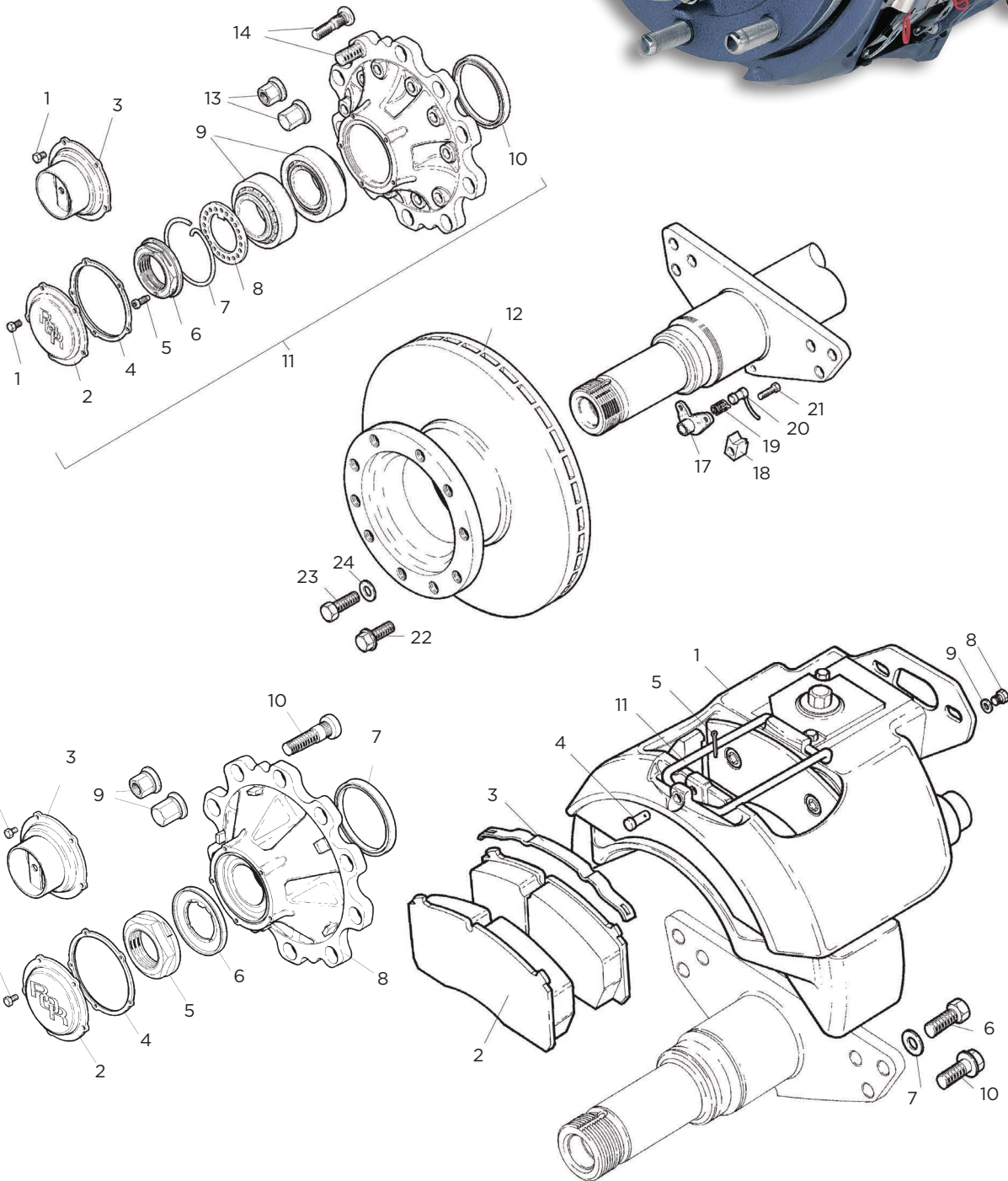
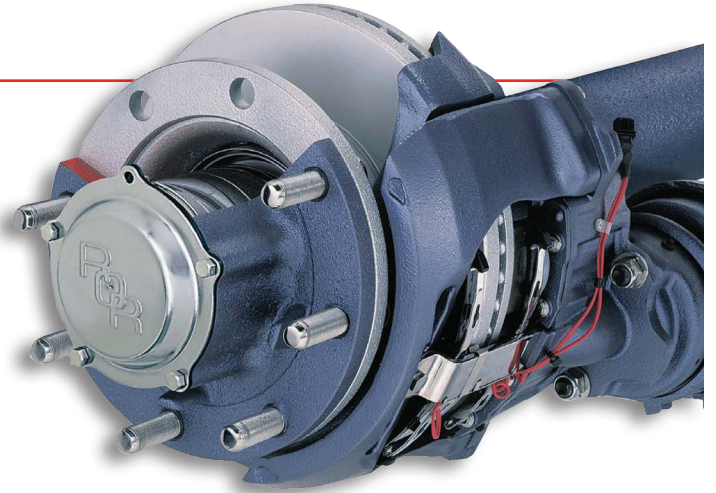
## ROR LC LM TM DRUM



**TRT** MADE POSSIBLE

# ROR TRAILER AXLE

**LM DX195**

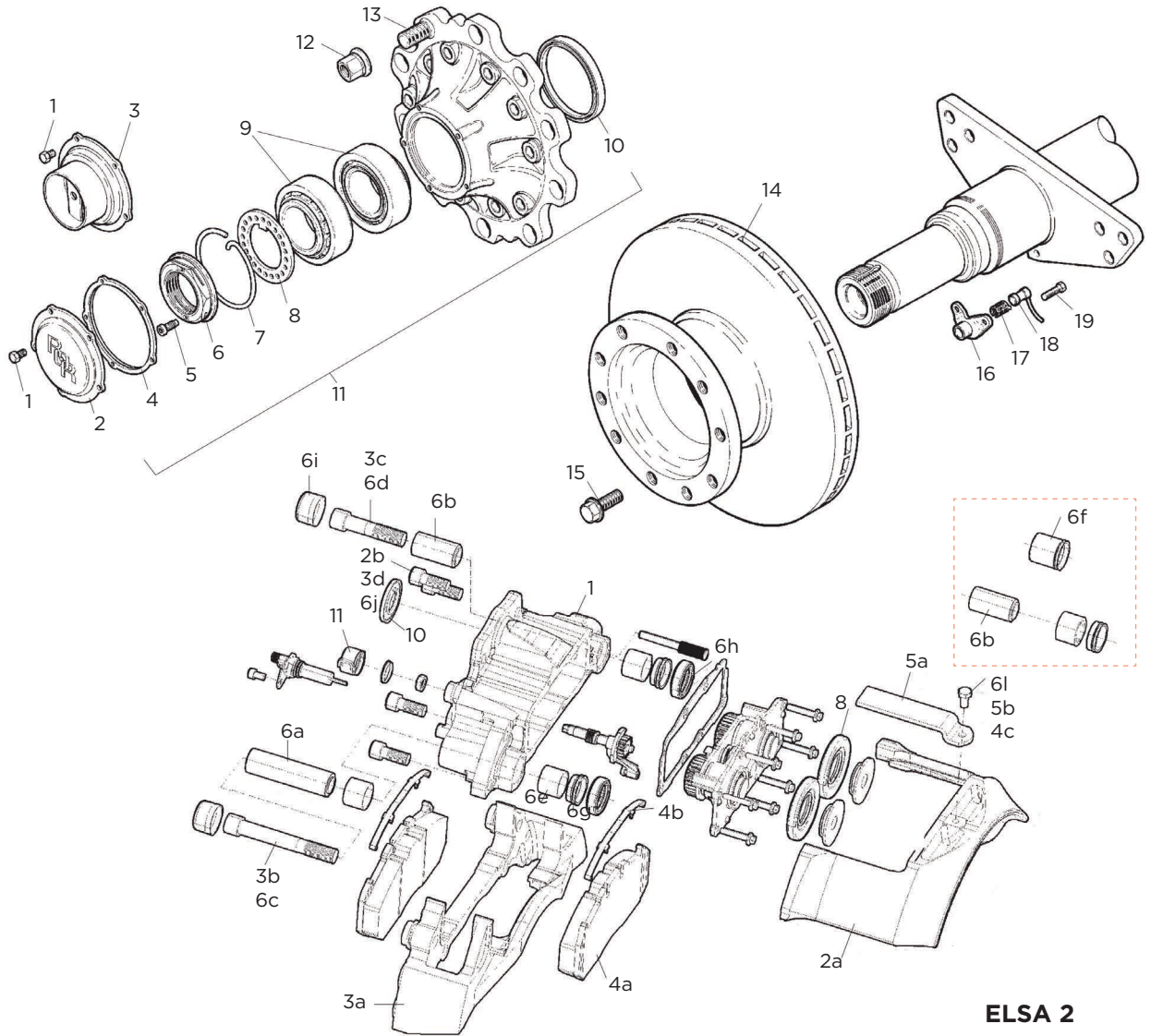




**TRT** MADE POSSIBLE

# ROR TRAILER AXLE

## LM ELSA



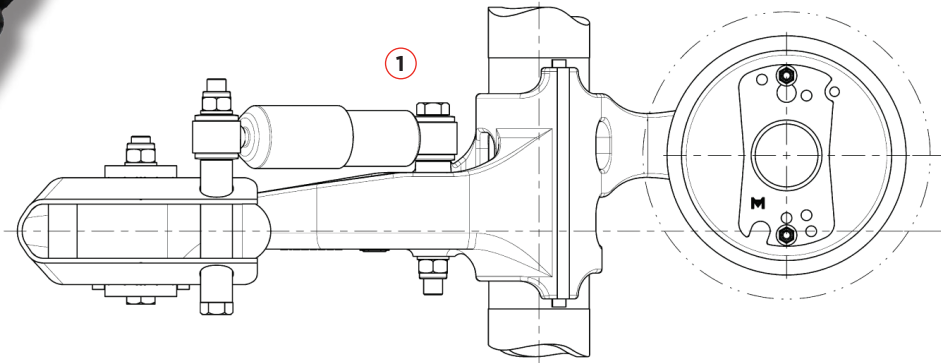
**ELSA 2**

## CS9

### Shock Absorber

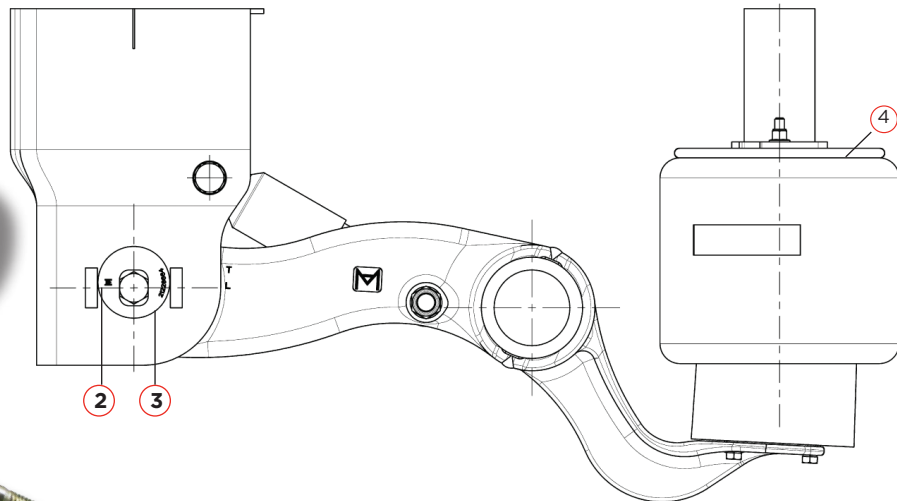
① High Mount  
21228930

Low Mount  
21228392



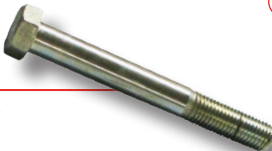
### Pivot Bush

② 21230041



### Bolt

③ M24 x 200  
21222230



## AIR SPRING

④ 21229214

