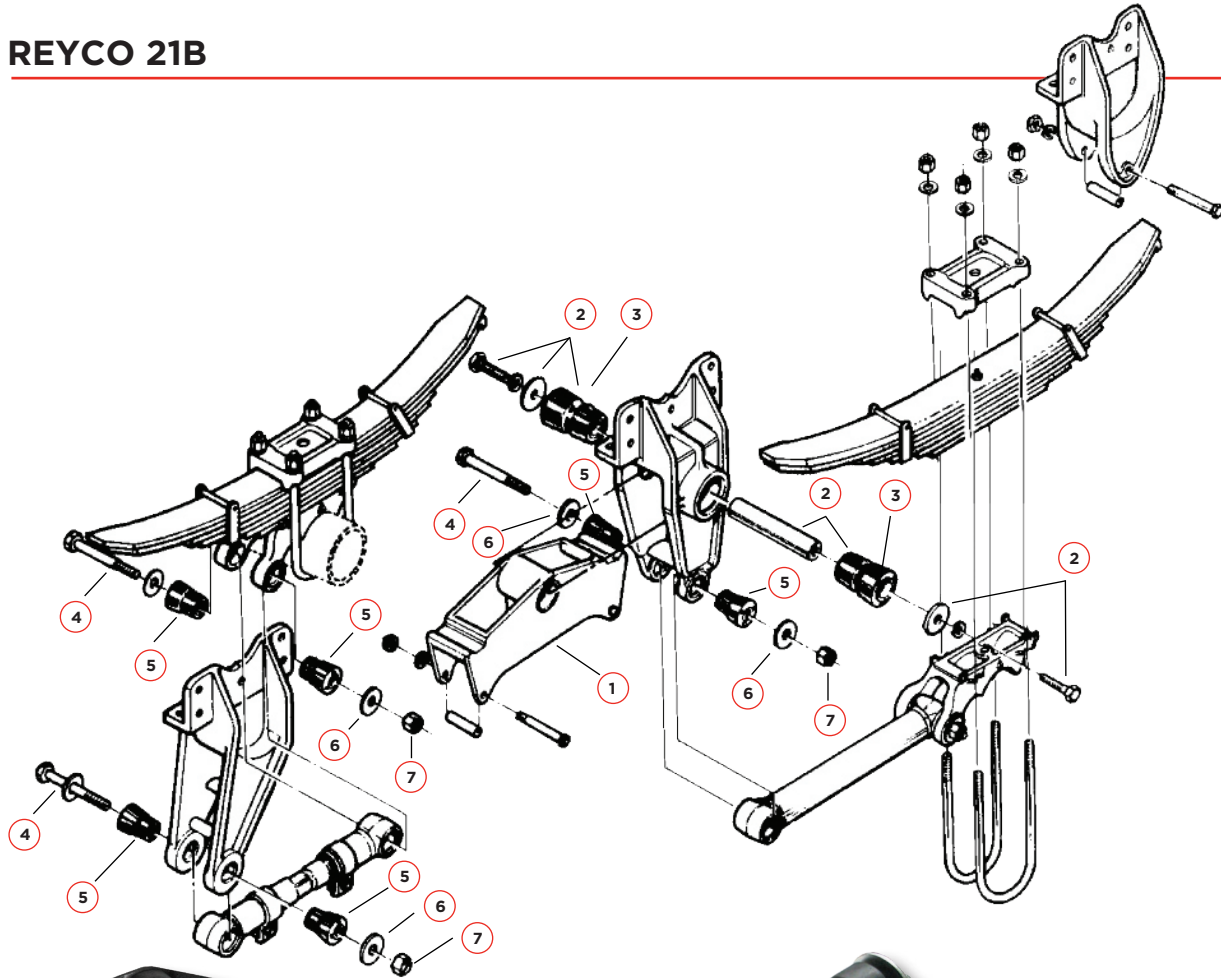


TRT MADE POSSIBLE MECHANICAL SUSPENSION

REYCO 21B



Equaliser Cast

1 **T5427**
EQ001



Equaliser Pin & Bush Assy

2 **TRT1109A**



Equaliser Bush Taper

3 **T5524**
TRT1109



Equaliser Bush 1-1/4" ID

T5524
TRB5066
TRT1104

Equaliser Shaft 1 1/4" (Fabricated)

RE1468301
M5392



Torque Rod bush

5 **T5493**
TRB6008
TRT1310



Torque Rod Bolt 1"

4 **T5492**
T5492



Torque Rod Washer 1"

6 **T2224**
WA05

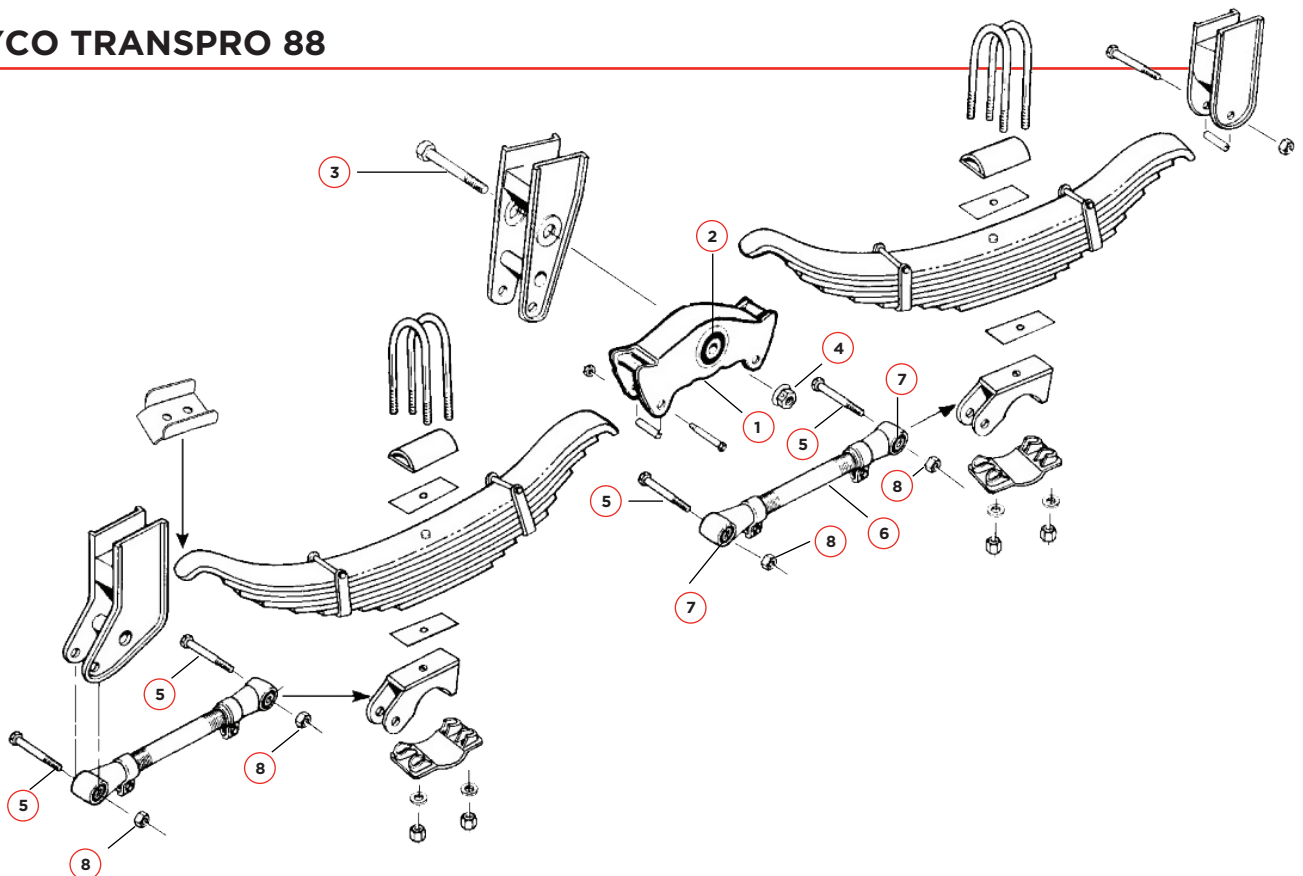


Torque Rod Nut 1"

7 **T5495**
LNC107

TRT. MADE POSSIBLE

REYCO TRANSPRO 88



Equaliser Cast
 1 OEM Ref 08500
 EQ041



Equaliser Fabricated
 1 OEM Ref 06500
 EQ022



Torque Rod End Bolt 7/8" x 5-1/4"
 5 OEM Ref 000108
 F780512GR8



Equaliser Bush 1" ID x 3-1/4" OD
 2 OEM Ref 064902
 TRB5544



Equaliser Bolt 1" x " 14TPI
 3 OEM Ref 000114
 M4886



Flanged Lock Nut 1" 14TPI
 4 OEM Ref 027401
 FLN107



Torque Rod Bush 7/8" ID
 7 OEM Ref 0972-01
 TRT1308
 TRB6004



Flanged Lock Nut 7/8" ID
 8 OEM Ref 1434501
 LN106



Torque Rod Bush Assy
 6 OEM Ref 1035/20
 TRO09