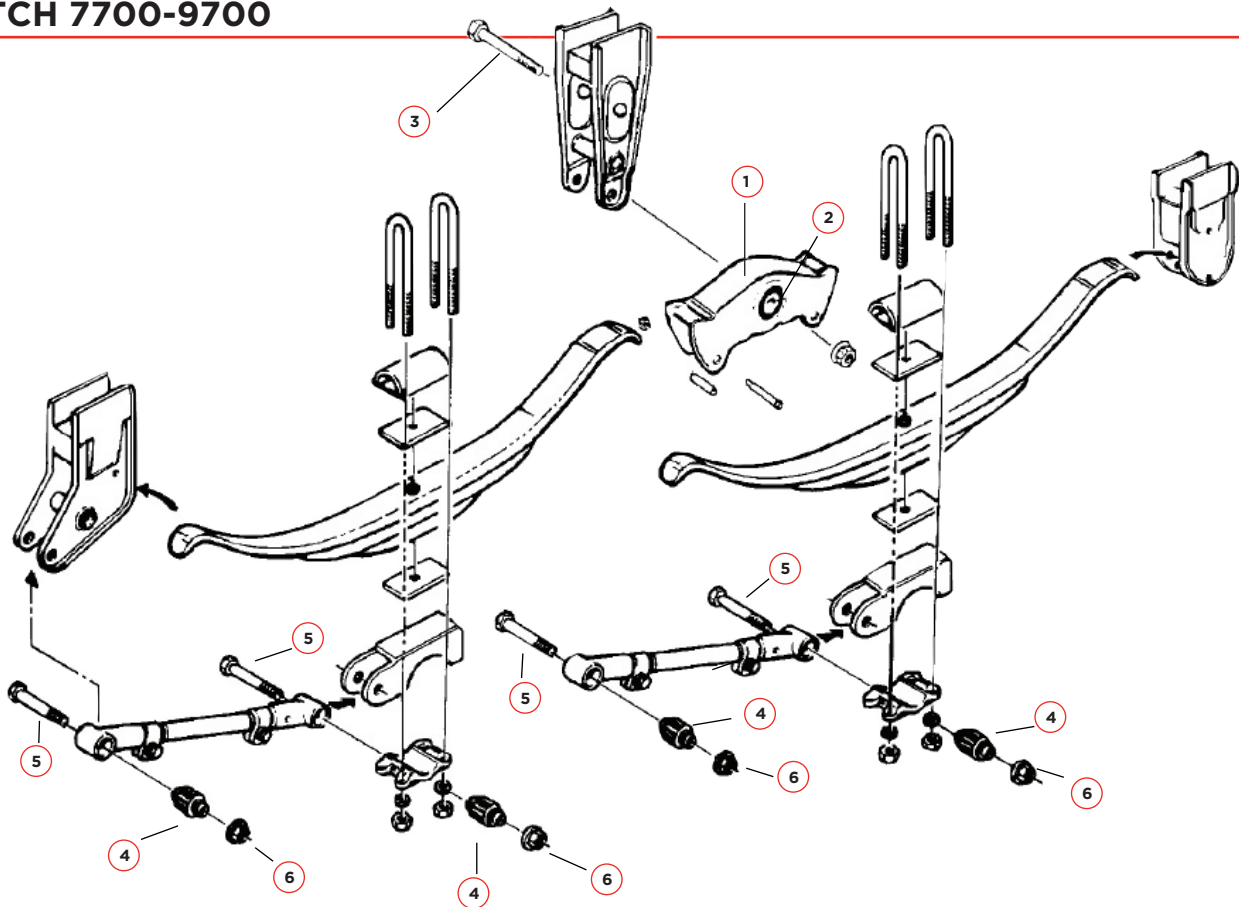


# TRT MADE POSSIBLE

# MECHANICAL SUSPENSION

## HUTCH 7700-9700



**Equaliser Fab 2 Bolt**

1 1913701  
EQ014



**Equaliser Cast Single Bolt**

1 1615801  
EQ019



**Equaliser Bush (2 Bolt) 3-1/4" OD 3-7/8"**

2 701000  
TRB5541



**Equaliser Bush 3-1/8" Single Bolt**

2 1614601  
TRB5542



**Option Bolt 3/4" x 6 5/8"-18TPI x2**

3 701601  
TRS4413



**Bolt 1-1/8" x 6 1/2"**

3 1615001  
C118612GR8



**Torque Rod Bush 1" ID**

4 72200  
TRT1302



**Hex Bolt " x 5"**

5 71902  
TRS6326



**Flanged Lock Nut**

6 027401  
FLN107

While a cast rocker might fit, the design may cause the suspension to bottom out. Replace like for like.