

TRT. MADE POSSIBLE

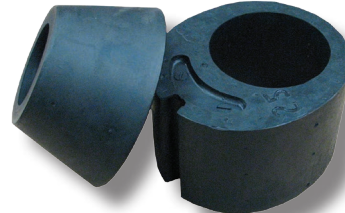
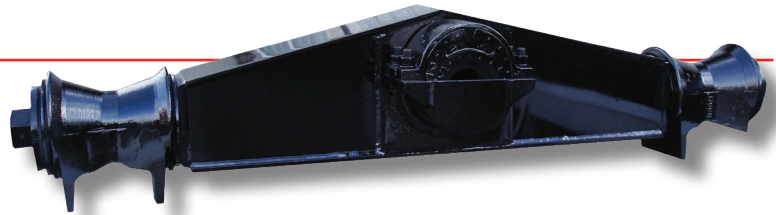
AIR SUSPENSION

TIDD WALKING BEAM



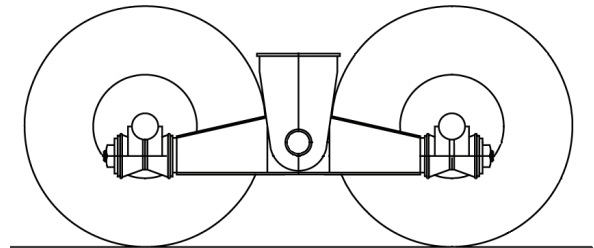
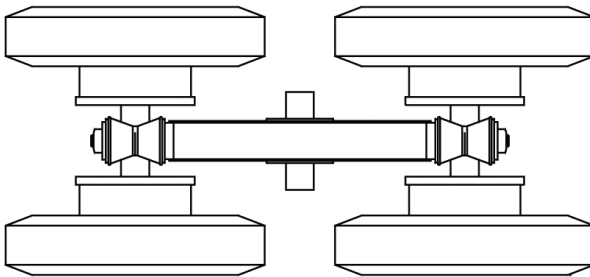
Beam End Castings

5" & 6" Round Beam
& 6" Square Beam Axles

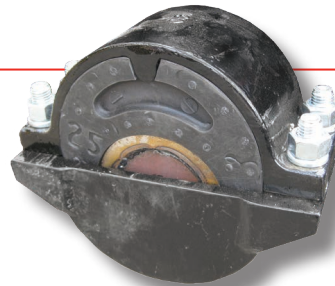


Conical End Bush
TD32

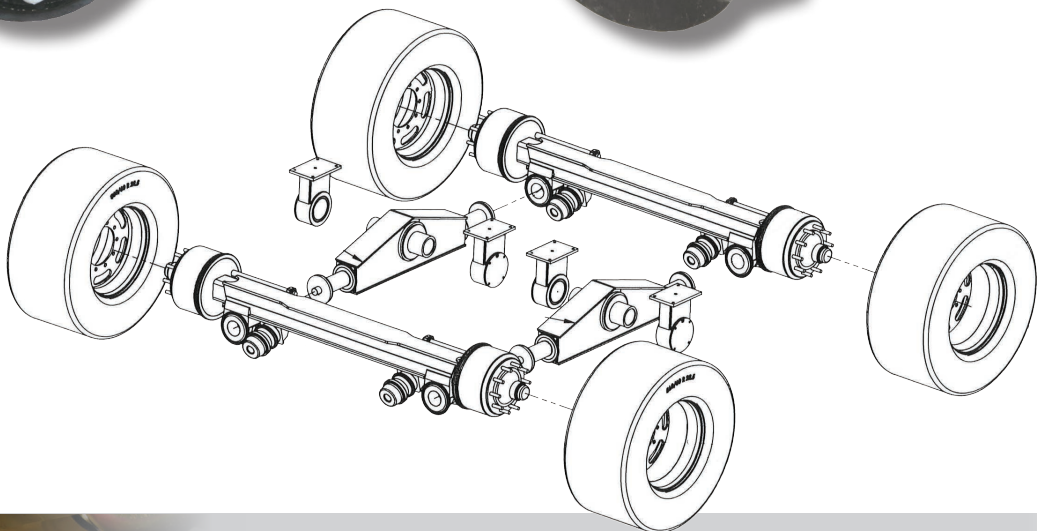
Off Centre Pivot Bush
TD25



**Easy adjust Beam End
Lock Nut System**



Cast Centre Pivot Castings



TIDD[®] WALKING BEAM SUS- PENSION SYSTEMS

TD0654 30tonne and CM52 40 to 60tonne Applications