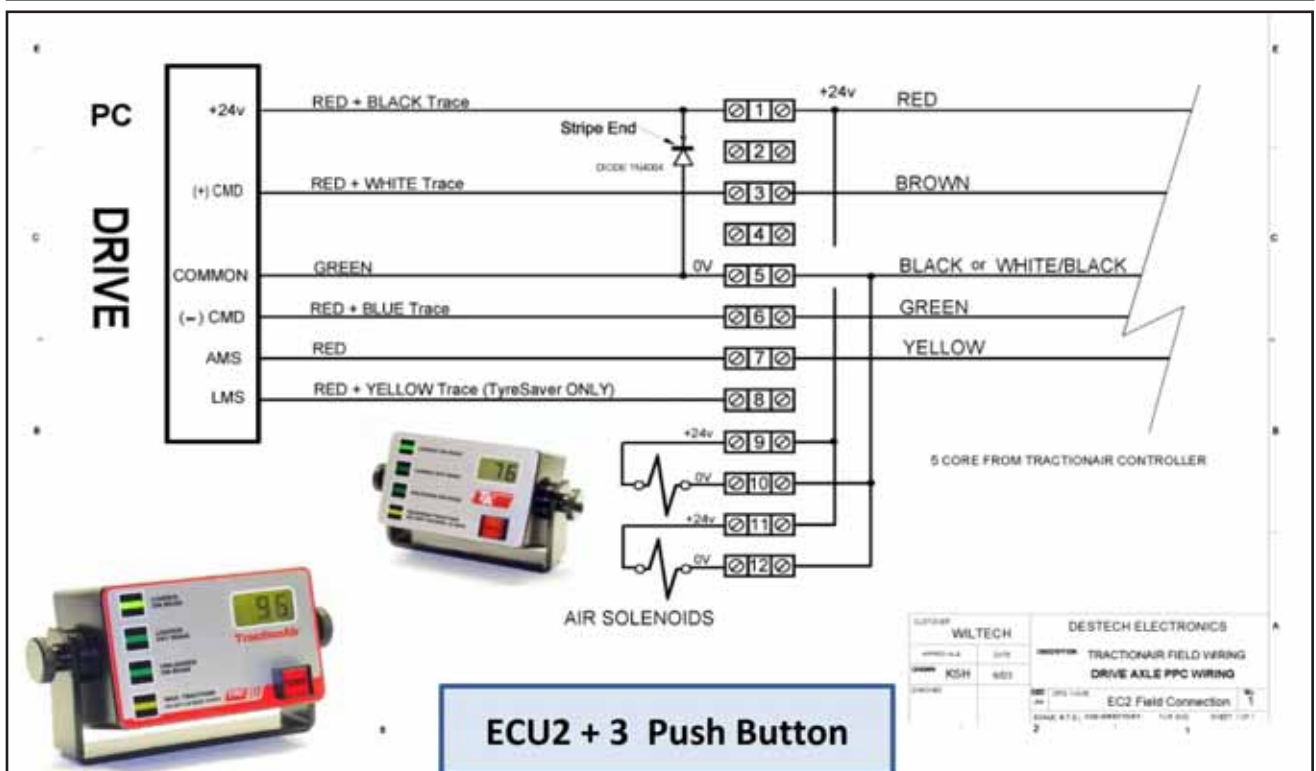
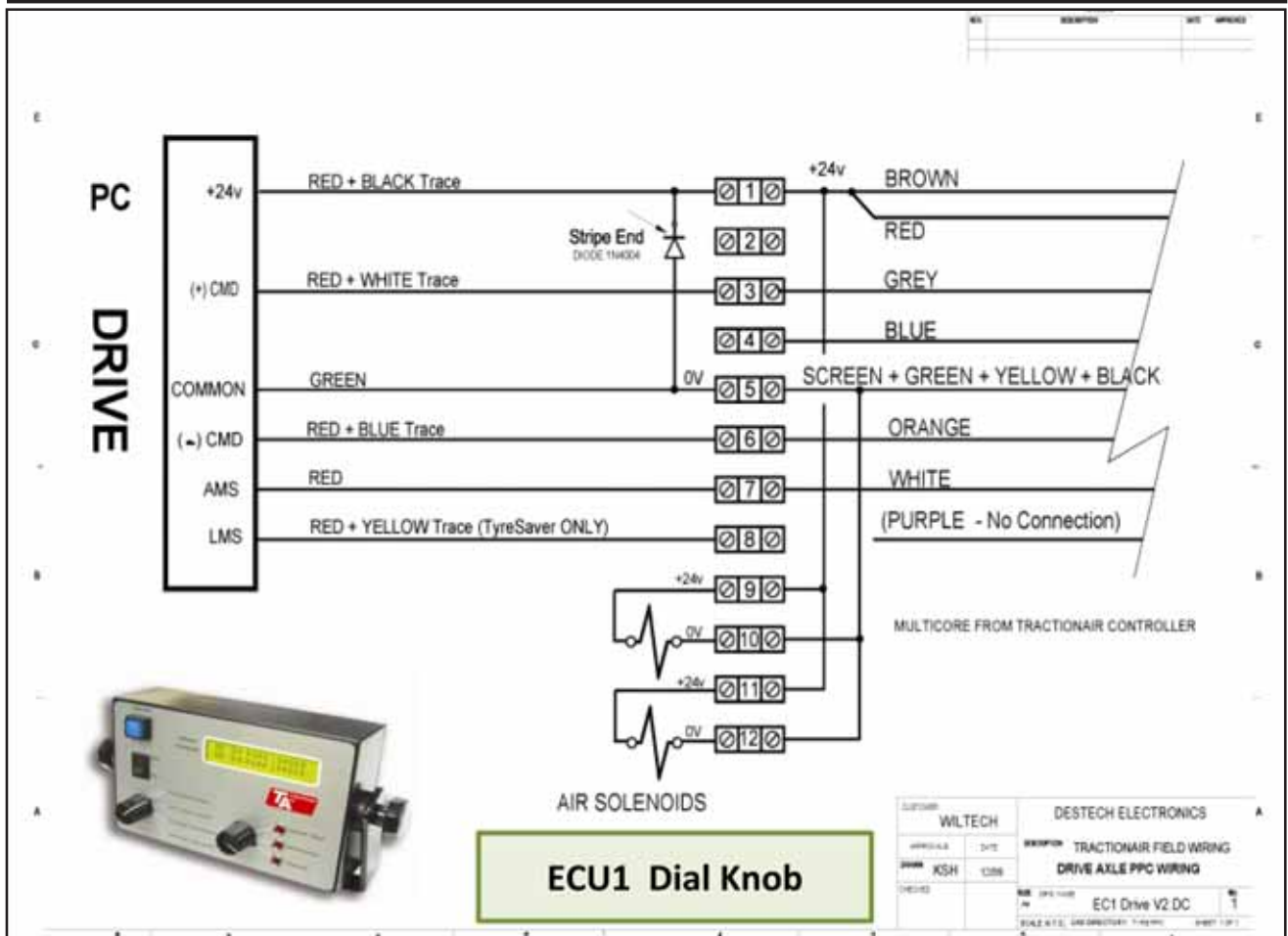


TRACTIONAIR G1, G2 & G3

IMPORTANT: WIRING SCHEMATIC MATCH ECU SERIES DO NOT MIX



A loop wire may be installed between 5 + 6 terminals to address known compatibility issues on some pre year 2000 ECU's. This has no affect on later systems and can be left in place.