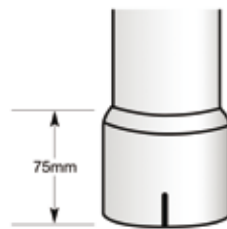


## CHROME PLATED EXHAUST STACKS - DEFLECTOR & STRAIGHT STACK

Fleetguard uses a nickel-plated, chrome finishing process that meets the Australian standards (AS1192-1984) Service Condition 4.

Available as a plain ended or expanded and notched.

Straight stacks give the impression of a quieter vehicle as the noise is directed away from the ground and require a rain cap to prevent rain from entering the exhaust system.



CHROME PLATED EXHAUST STACKS					
Diam	Height	Deflector Plain End	Deflector Expanded End	Straight Plain End	Straight Expanded End
63mm x (2-1/2")	600mm(24')	0123D0632P	0123D0632X	0123S0632P	0123S0632X
	900mm (36")	0123D0633P	0123D0633X	0123S0633P	0123S0633X
	1200mm (47")	0123D0634P	0123D0634X	0123S0634P	0123S0634X
	1500mm (59")	0123D0635P	0123D0635X	0123S0635P	0123S0635X
	1800mm (71")	0123D0636P	0123D0636X	0123S0636P	0123S0636X
76mm x (3")	600mm(24')	0123D0762P	0123D0762X	89005C	
	900mm (36")	0123D0763P	0123D0763X	89006C	89020C
	1200mm (47")	0123D0764P	0123D0764X	89007C	89021C
	1500mm (59")	0123D0765P	0123D0765X	89203C	89213C
	1800mm (71")	0123D0766P	0123D0766X	0123S0766P	0123S0636X
89mm x (3-1/2")	600mm(24')	0123D0892P	0123D0892X	89010C	89022C
	900mm (36")	0123D0893P	0123D0893X	89011C	89023C
	1200mm (47")	0123D0894P	0123D0894X	89012C	89024C
	1500mm (59")	0123D0895P	0123D0895X	89204C	89215C
	1800mm (71")	0123D0896P	0123D0896X	0123S0896P	0123S0896X
102mm x (4")	600mm(24')	0123D1022P	0123D1022X	89013C	89025C
	900mm (36")	0123D1023P	0123D1023X	89014C	89026C
	1200mm (47")	0123D1024P	0123D1024X	89015C	89027C
	1500mm (59")	0123D1025P	0123D1025X	89205C	89217C
	1800mm (71")	0123D1026P	0123D1026X	89916C	89919C
127mm x (5")	600mm(24')	0123D122P	0123D1272X	89016C	89028C
	900mm (36")	0123D1273P	0123D1273X	89017C	89029C
	1200mm (47")	0123D1274P	0123D1274X	89018C	89030C
	1500mm (59")	0123D1275P	0123D1275X	89019C	89031C
	1800mm (71")	0123D1276P	0123D1276X	89918C	89920
152mm x (6")	600mm(24')	012DS1522P	012DS1522X	0123S1522P	0123S1522X
	900mm (36")	012DS1523P	012DS1523X	0123S1523P	0123S1523X
	1200mm (47")	012DS1524P	012DS1524X	0123S1524P	0123S1524X
	1500mm (59")	0123D1525P	0123D1525X	0123S1525P	0123S1525X
	1800mm (71")	0123D1526P	0123D1526X	0123S1526P	0123S1526X

Other sizes and styles available on request

# EXHAUST

## FLAME PROOF TANKER KITS

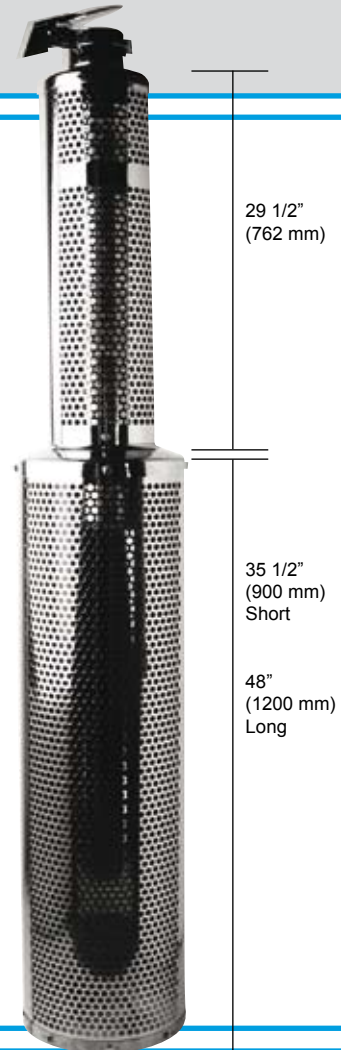
A standard kit consists of:

- Stainless steel top & bottom shroud.
- Stainless steel transition cap (1 large, 1 small).
- Bracket mounting rings (2).
- Muffler pipe mounting brackets (2).
- Chrome plated straight stack.
- Chrome plated silent raincap.

FLAME PROOF TANKER KIT		
EXHAUST SIZE		PART NO
76mm	3"	0134076T
89mm	3 ½"	0134089T
102mm	4"	0134102T
114mm	4 ½"	0134114T
127mm	5"	0134127T
152mm	6"	0134152T

Conforms to Australian design standard AS2809.1

Tanker Kit parts are available individually on request.



## RAINCAPS



Fleetguard exhaust products are available in a range of sizes, enquire if your size is not listed.

RAINCAPS		
SIZE	ZINC PLATED PART NO	CHROME PLATED P/N
2"	0171051ES	
2-½"	0171063ES	
3"	0171076ES	
3-½"	0171089ES	
4"	0171102ES	0171102ESC
4-½"	0171114ES	
5"	0171127ES	0171127ESC
6"	0171152ES	0171152ESC
8"	0171203ES	

Precision balanced with nylon stops for 'SILENT' operation. Sizes: 1 ½" through to 8".

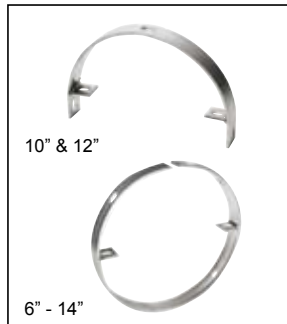
## FULL AND HALF EXHAUST GUARDS



EXHAUST GUARDS			
DIAM.	HEIGHT	FULL GUARD PART NO.	HALF GUARD PART NO.
152	914mm	0134152F	0134152H
	1219mm	0134152FL	
203	914mm	0134203F	0134203H
	1219mm	0134203FL	0134203HL
	1500mm		0134203HLX
254	914mm	0134254F	0134254H
280	1100mm	0134280F	
	1219mm	0134280FL	
305	1219mm	0134305F	0134305H
GUARD BRACKETS AVAILABLE			
DIAM.	PIPE DIAM.	Order 2 per guard. Other sizes available on application	
152	2-½", 3", 3-½"		
203	3", 3-½", 4", 5"		
254			
280			
305			



Full Guard Bracket



Full & Half Guard Bracket Mounting Rings



Wrap Style Clamp

Polished bright Stainless Steel heat shields will not discolour, crack, chip or peel.

HEAT SHIELD WRAP STYLE			
MUFFLER DIAM.	LENGTH	PART NO.	½ GUARD WRAP
102-127mm	1219mm	89744C	20mm HOLE
152mm		90856C	20mm HOLE
		90976C	VERTICAL SLOT
216-257		89747C	20mm HOLE
		89996C	HORIZONTAL SLOT
		89745C	VERTICAL SLOT
MUFFLER DIAM.	LENGTH	PART NO.	¾ GUARD WRAP
216-257mm	1219mm	89749C	20mm HOLE
		89774C	HORIZONTAL SLOT
		89995C	VERTICAL SLOT
	1295mm	90555C	20mm HOLE
		90556C	HORIZONTAL SLOT
		90461C	VERTICAL SLOT
MUFFLER DIAM.	LENGTH	PART NO.	FULL GUARD WRAP
229-267mm	1245mm	90901C	VERTICAL SLOT
		90948C	BLANK PATTERN

WRAP STYLE SHIELD MOUNTING CLAMPS			
CLAMP DIAM.	SUIT GUARD	PART NO.	2 CLAMPS PER KIT
102-146mm	½	89770K	
127-171mm	½	89771K	
152-197mm	½	90857K	
216-267mm	½	89761K	
229-273mm	½	89762K	
	¾	89766K	
257-301mm	½	89763K	
	¾	89767K	
265-311mm	½	89764K	
102mm	FULL	90899K	
127mm		90900K	