

## OUTPUT AND PUMP ADAPTORS

### Side Mount PTOs

There is a tendency for manufacturers to create their own opening pad standard, and disregard the SAE standard, so in most cases, PTOs are not transferable from one gearbox make to another.

Output types vary and in most cases can be supplied with a range of output types. The "standard" supplied with Powauto products is an 8 tooth splined shaft mount but the PTO's can be supplied with a range of mechanical, or standard SAE outputs.

Available with Powauto 8 tooth spline as standard.

Adaptor to fit SAE A Pumps.

Adaptor to fit SAE B Pumps.

Adaptor to fit SAE C Pumps.

Adaptor to fit to Italian 3 bolt mount.

Adaptor to suit DIN pumps.

OK009 - DIN 5462 Pump to Powauto PTO (14T) (2)

OK010 - DIN / 14T Pump to Powauto PTO (14T) (2)

OK010B - OK010 Rotated 45°

OK011 - DIN / 13T Pump to Powauto PTO (30)

OK012 - SAE 'C' Pump Mount to Powauto PTO (26)

OK013 - Powauto Pump to UNI 21 PTO

OK014 - UNI 21 Pump to Powauto PTO

OK015 - Powauto '08' to '30'

OK016 - DIN PTO with brg to '08'

OK016A - DIN PTO without brg to '08'

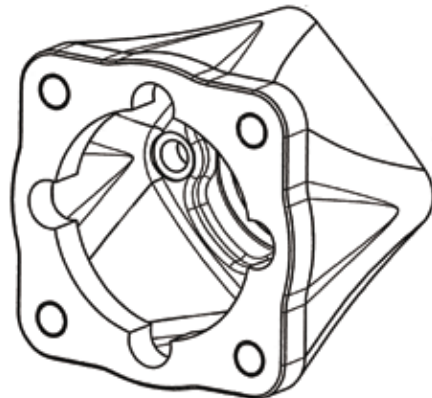
OK017 - Powauto Pump to Chelsea PTO

OK018 - Powauto Mount to SAE 'B' Mount

OK019 - Powauto '08' to '13' (SAE 'B')

OK020 - Powauto '08' to '25' (SAE 'A')

OK022 - Convert '08' to '30' Rotated 45°



TRT carries a full range of:

Bearing Kits

Seal Kits

Gasket Kits

Mounting Kits

Powauto Gasket Kits are designed to suit the openings of a wide range of transmission makes and models.