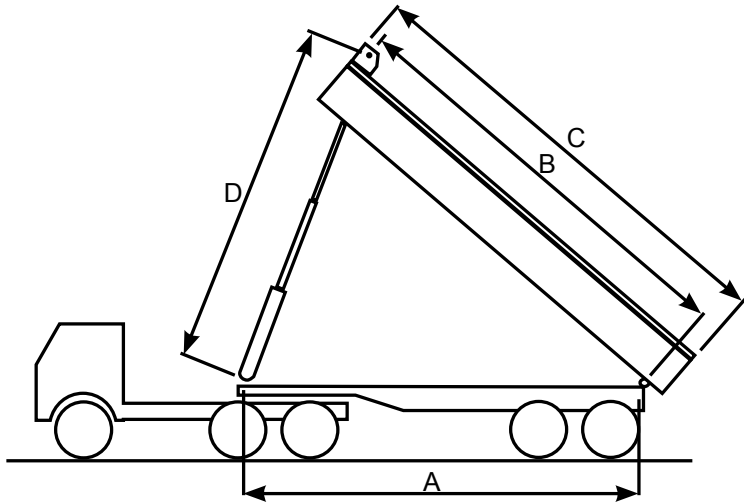
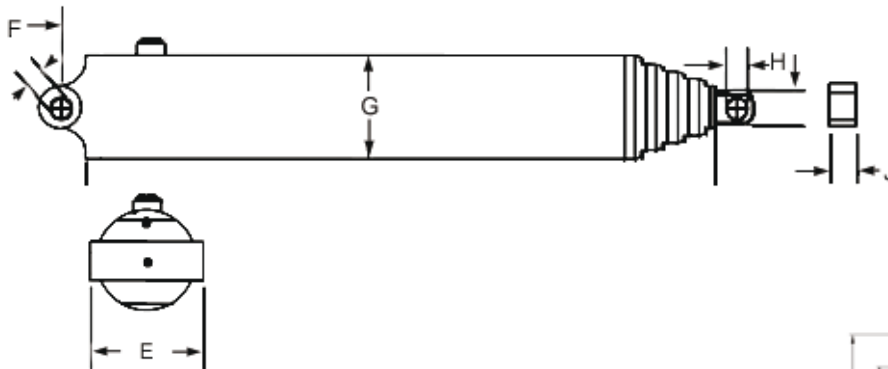


COWL MOUNTED HOIST



Dimension	Measure
A - Bottom Pivot Length	
B - Top Pivot Length	
C - Deck Length	
D - Hoist extended length	
E - Bottom Eye width	
F - Bottom Eye I.D.	
G - Hoist O.D.	
H - Top Eye I.D.	
J - Top Eye width	
K - Closed	
No. of Stages	

EYE TO EYE



TRUNION TO EYE

