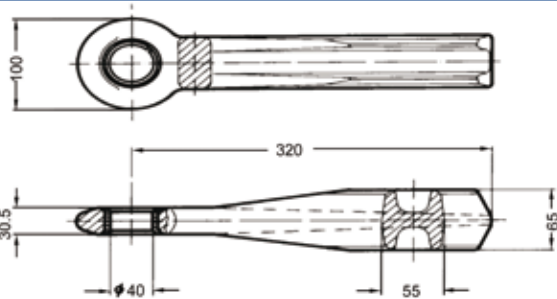
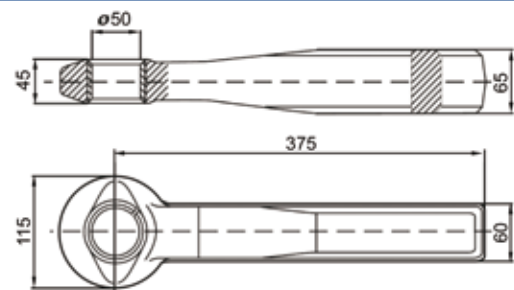


ZO 45



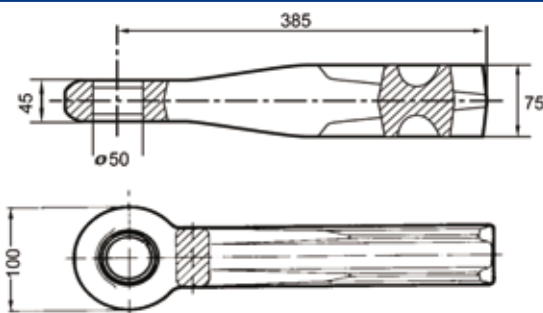
40mm: Part no. ZO 45
Material: heat-treated steel St 52-3
D-value: 120kN
Weight: 5.8 kgs

ZO 58



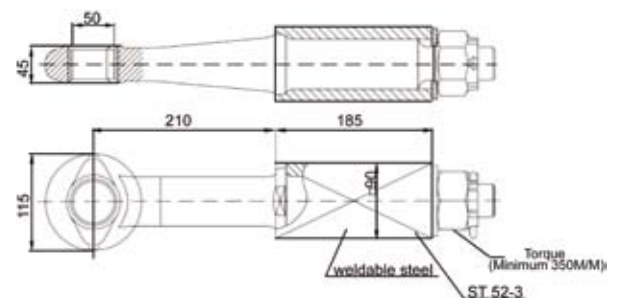
50mm: Part no. ZO 58
Material: heat-treated steel St 52-3
D-value: 130kN
Weight: 10.3 kgs

ZO 59



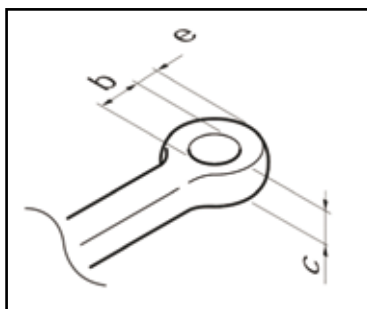
50mm: Part no. ZO 59
Material: heat-treated steel St 52-3
D-value: 260kN
Weight: 13.4 kgs

ZO 60



50mm: Part no. ZO 60
Material: Steel Ck 45 heat-treated to 630-780 N/mm
D-value: 130kN
Weight: 18.5 kgs (Block is ST52-3 steel)

WEAR LIMITS



Size	DIN	b ² max. (mm)	c ² min. (mm)	e ³ min. (mm)
40 mm	74054	41,5	28	22
50 mm	74053	52,5	41,5	23,5

