

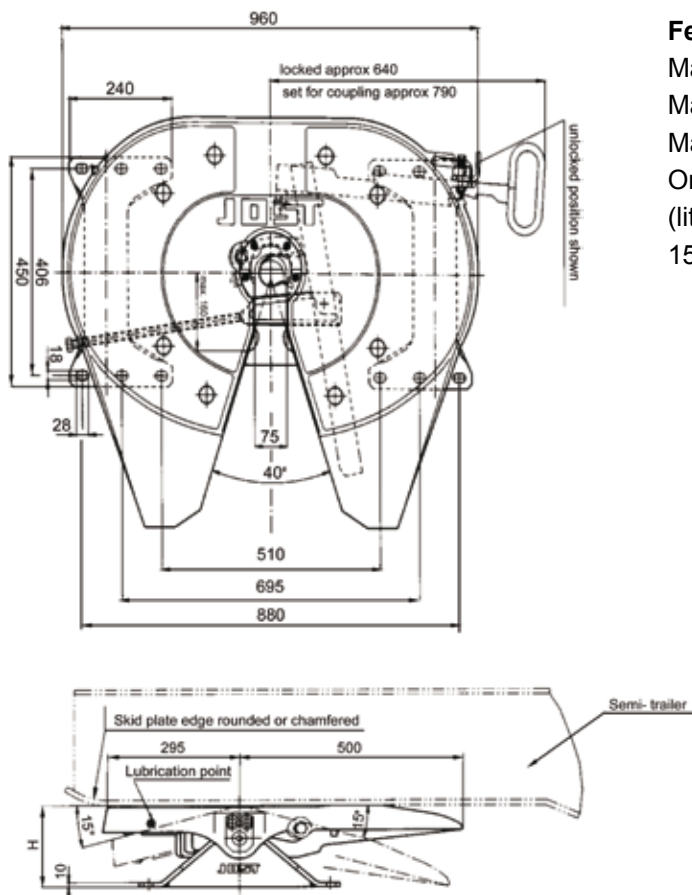
37E+ 37EW MODELS



50mm/2" Couplings
Pivot Bearing
Low Maintenance
Cast Steel Top Plate
Easy Change Lock Jaw and Wear Ring

Applications:
General freight
Tipper work

37EW (Shown)



Features:

Maintenance free top plate.
Maintenance free rubber cushioned pivot bearings.
Maintenance free wearing ring.
Only one remaining grease point, the lock jaw (little grease required).
152 (kN) D-Value, 20000 (Kg) Imposed Load.

SELECTION TABLE

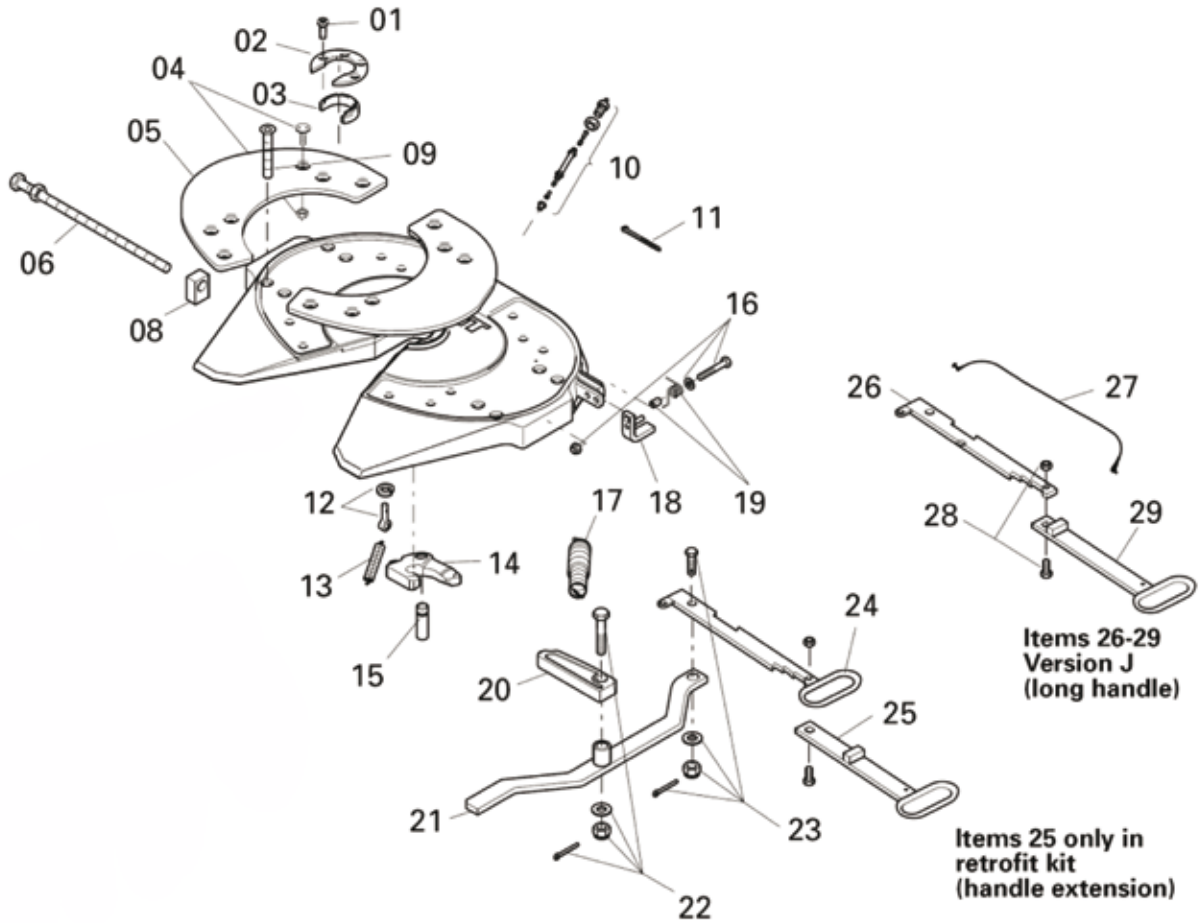
Model No.	Height (mm)	Weight (kg)
JSK 37 E150W	150	133
JSK 37 E170W	172	135
JSK 37 E185W	185	136
JSK 37 E250W	250	141
JSK 37 E150	150	133
JSK 37 E170	172	135
JSK 37 E185	185	136
JSK 37 E250	250	141

Weld-In Feet

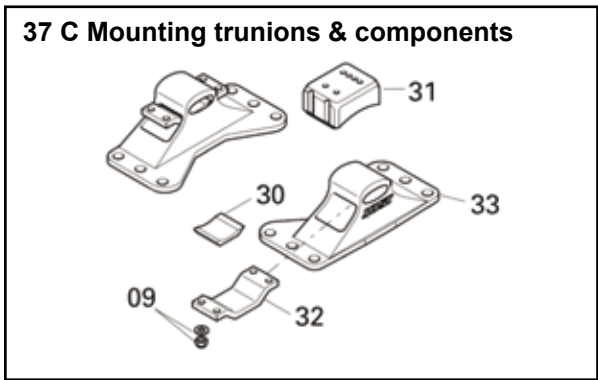
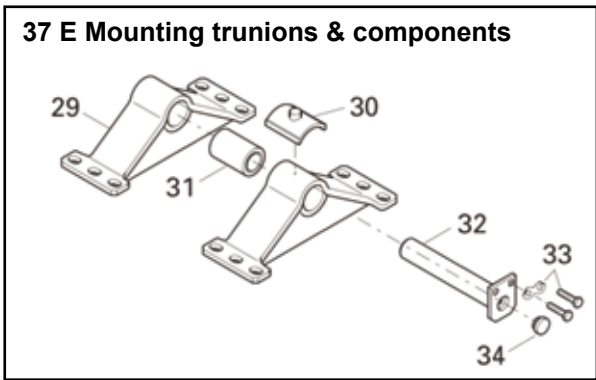
37 Series Jost

Fifth Wheels are available with either **weld-in** or **bolt-in** mounting feet.

37 E / 37 C SPARE PARTS



'W' Maintenance free version shown



FIFTH WHEELS

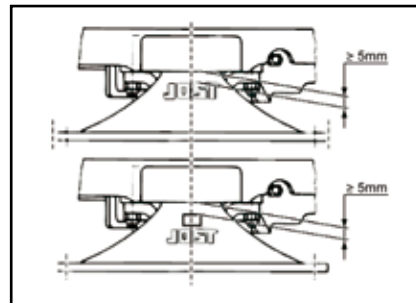
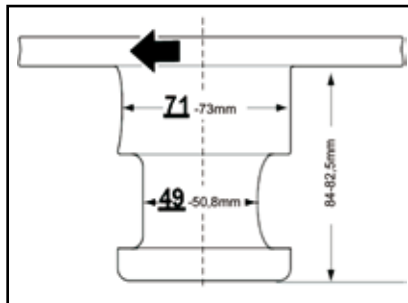
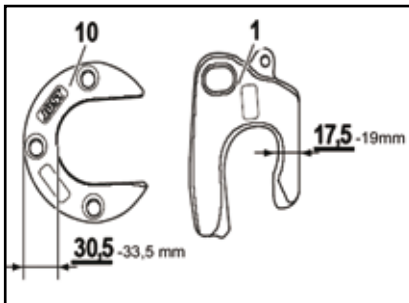
MAINTENANCE

Uncouple at short intervals (5,000km).

Clean semi-trailer skid plate and fifth wheel plate. Lubricate fifth wheel plate, locking mechanism and king pin with high pressure grease (e.g. BP EP 2).

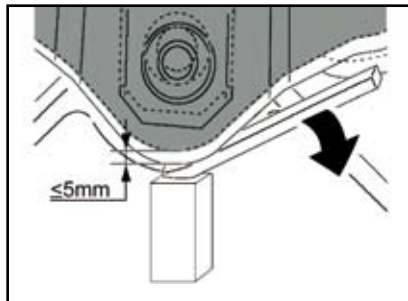
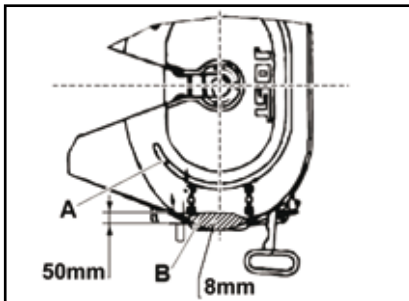
The bearings of types C, D, and E are maintenance free.

WEAR LIMITS



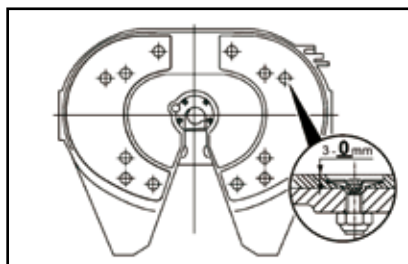
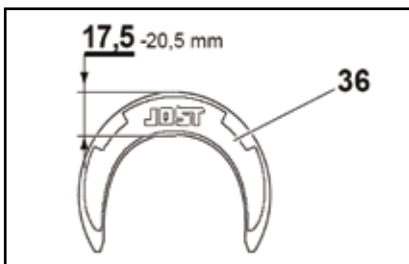
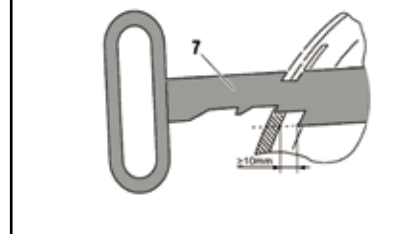
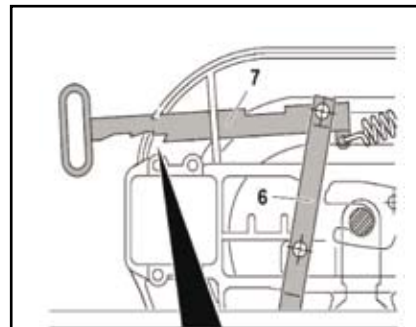
When the wear limit has been reached the affected components must be replaced.

Version C must have a minimum gap of 5mm under load.



The fifth wheel coupling must be replaced. If the flat top surface is worn to the depth of the lubrication groove (A).

Version E may have maximum play of 5mm. To check this raise the skid plate with a crow bar.



For W models the wear limit of the liners is reached when they have worn down to the top of the securing bolts.

When the fifth wheel coupling has been locked correctly, the distance between the safety edge and the inner edge of the plate must be at least 10mm.

HEAVY DUTY FIFTH WHEEL COUPLINGS JSK 38 G

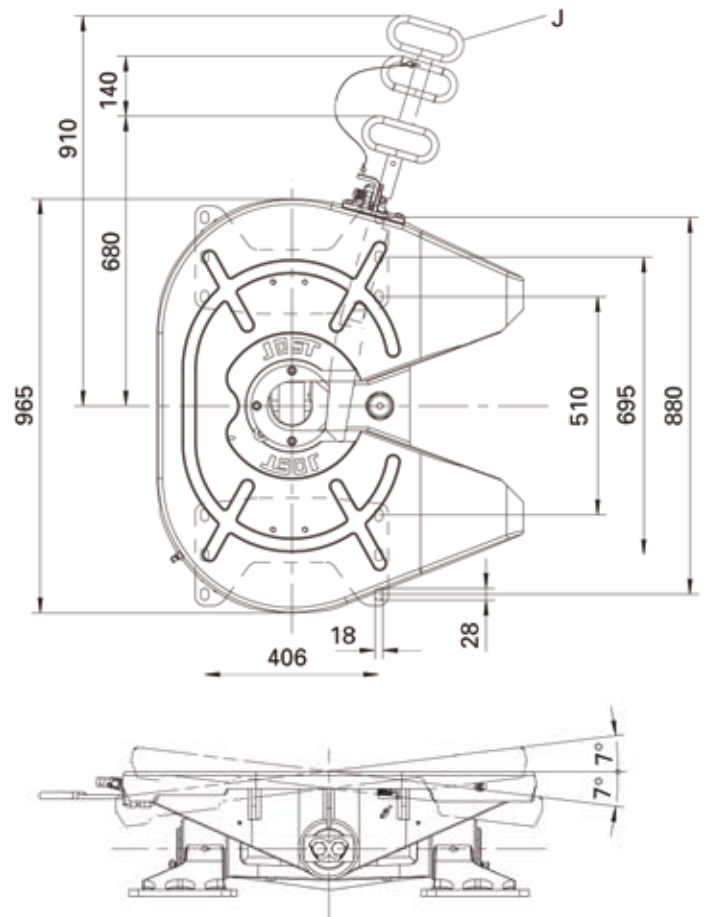
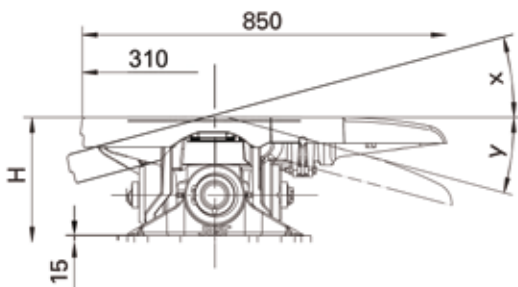
Technical Specification

Cardan bearing, hole pattern as per ISO 3842.

JOST heavy duty fifth wheel couplings comply with dimensions as per DIN 74081 or DIN 74084, for plate mounting with hole patterns as per DIN 74081, 74084 and ISO 3842.

Suitable for 2" (50mm) king pins as per DIN 74080, ISO 337 or 3 1/2" (90mm) king pins (90) as per DIN 74083, ISO 4086 and steering wedges as per DIN 74085 or 94/20/EC.

Fitted on a mounting plate.



Selection table / Versions available

Model	H (mm)	Lock	Pitching angle		D value (kN)	Imposed load U (t)	Weight (kg)	Maintenance	Handle length
			X	Y					
JSK 38G-1	290	3 1/2"	15°	15°	260	36	265	M	K
JSK 38G-1 Z								Z	K
JSK 38G-1 J								M	J
JSK 38G-1 ZJ								Z	J
JSK 38G-1 2"	290	2"	15°	15°	170	28	265	M	K
JSK 38G-1 2" Z								Z	K
JSK 38G-1 2" J								M	J
JSK 38G-1 2" ZJ								Z	J

Explanations:

Maintenance

Z = Prepared for central lubrication

M = Manual lubrication

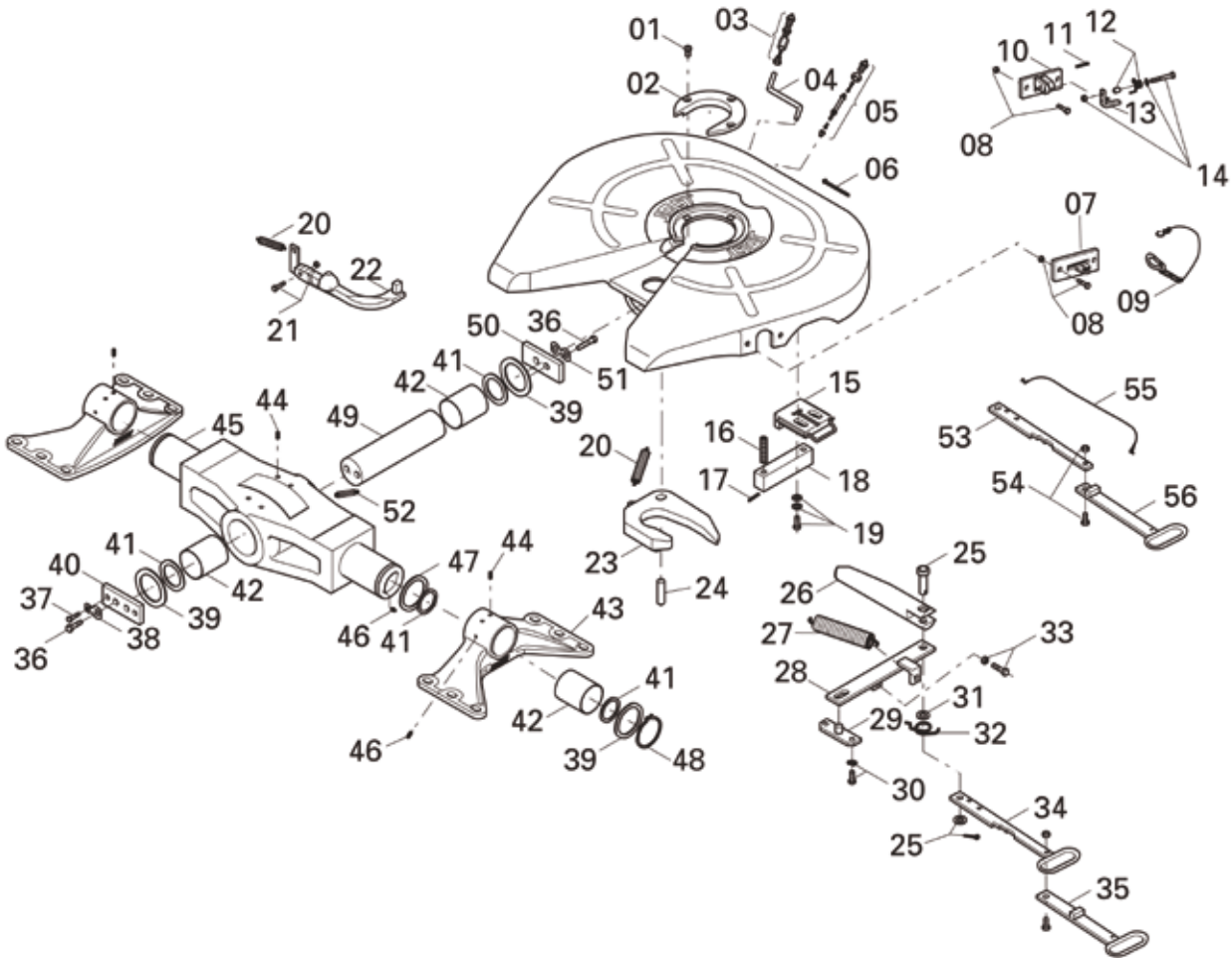
Handle length

J = Long handle

K = Short handle

FIFTH WHEELS

JSK 38 G1 / G1-2 / ...Z SPARE PARTS



Item	Description
01, 02, (05), 09, 20, 23, 24, 27	Repair kit for lock 3 1/2"
01, 02, (05), 09, 20, 23, 24, 27	Repair kit for lock 2"
36, 37, 38, 41, 42, 44, 46, 51, 52,	Repair kit for bearing
01, 02, 20, 23	Conversion kit from 3 1/2" to 2" lock
01, 02, 20, 23	Conversion kit from 2" to 3 1/2" lock
35, 54, 55	Handle extension retrofit kit, compl. from serie xx72xxxxx