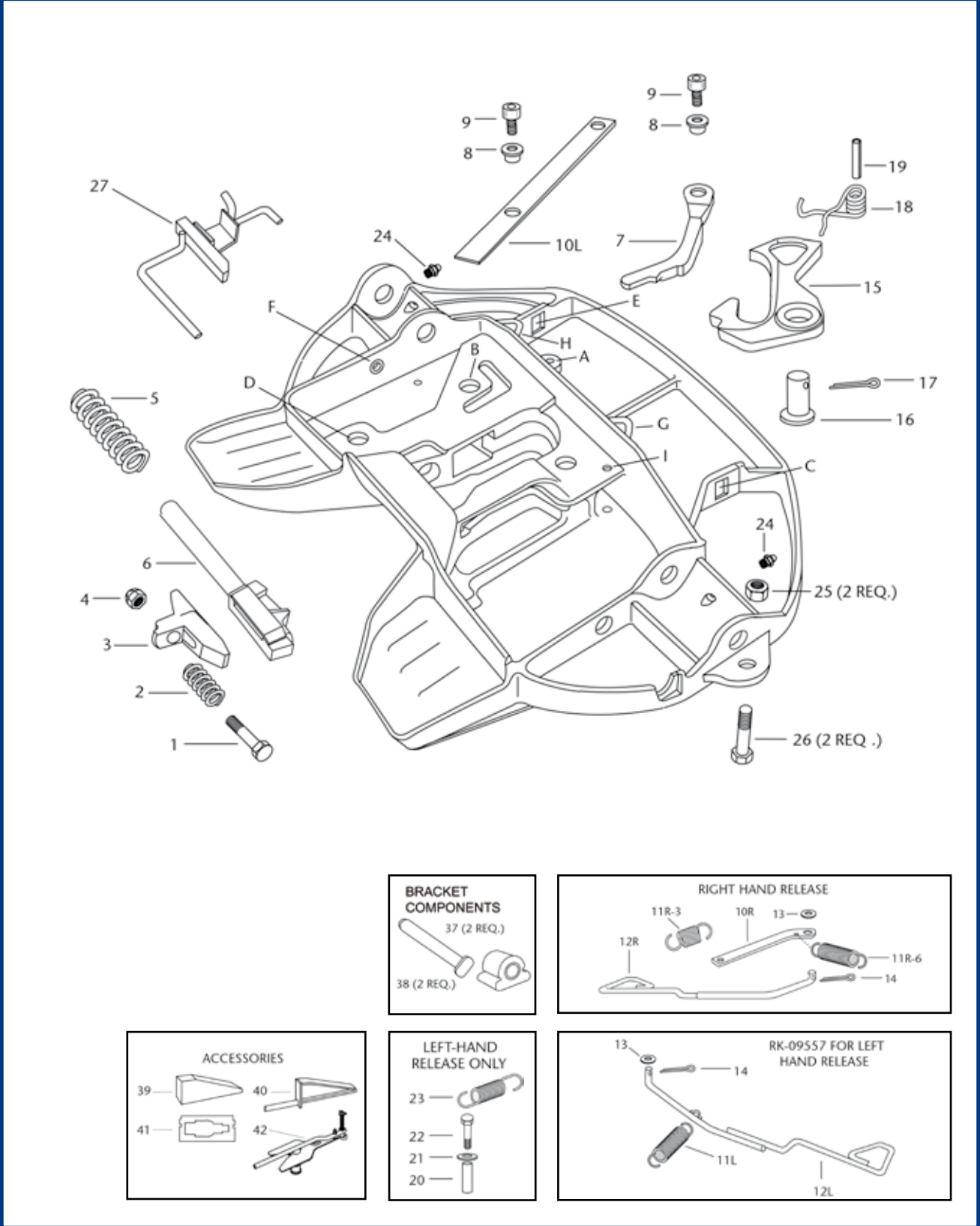


## FW8 XA-201 SERIES PARTS BREAKDOWN



# FIFTH WHEELS

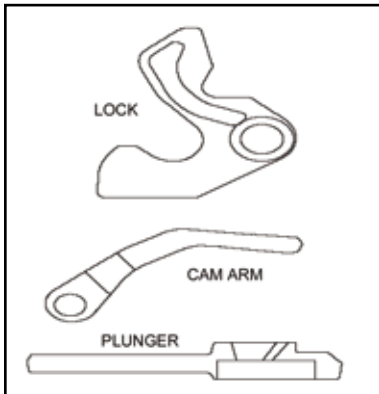
## XA-201 SERIES COMPONENT INFORMATION

### LOCK SET COMPONENTS UPDATES

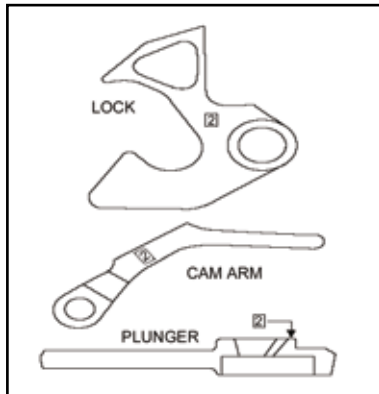
Consist of a new hinged lock; locking plunger; cam arm; release arm and spring; release handle; and wedge spring.

The new lock set components can be installed in any FleetMaster top plate casting regardless of date of manufacture; however, INDIVIDUAL LOCK SET COMPONENTS ARE NOT INTERCHANGEABLE WITH PREVIOUS VERSIONS AND MUST BE INSTALLED AS A COMPLETE SET.

#### GENERATION I

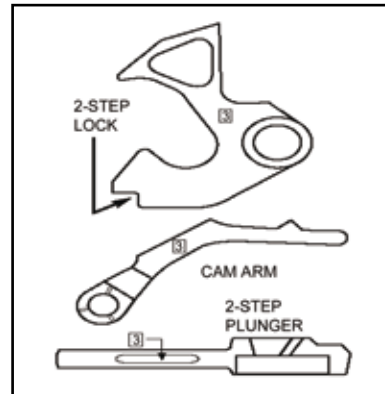








#### GENERATION II



#### GENERATION III

Fifth wheels manufactured after 9-1-99



	LOCK	HANDLE	HANDLE REPLACEMENT KITS	
			LEFT HAND RELEASE	RIGHT HAND RELEASE
GEN I.			RK-09429	RK-09555
GEN II.				
GEN III.			RK-09557	RK-09556



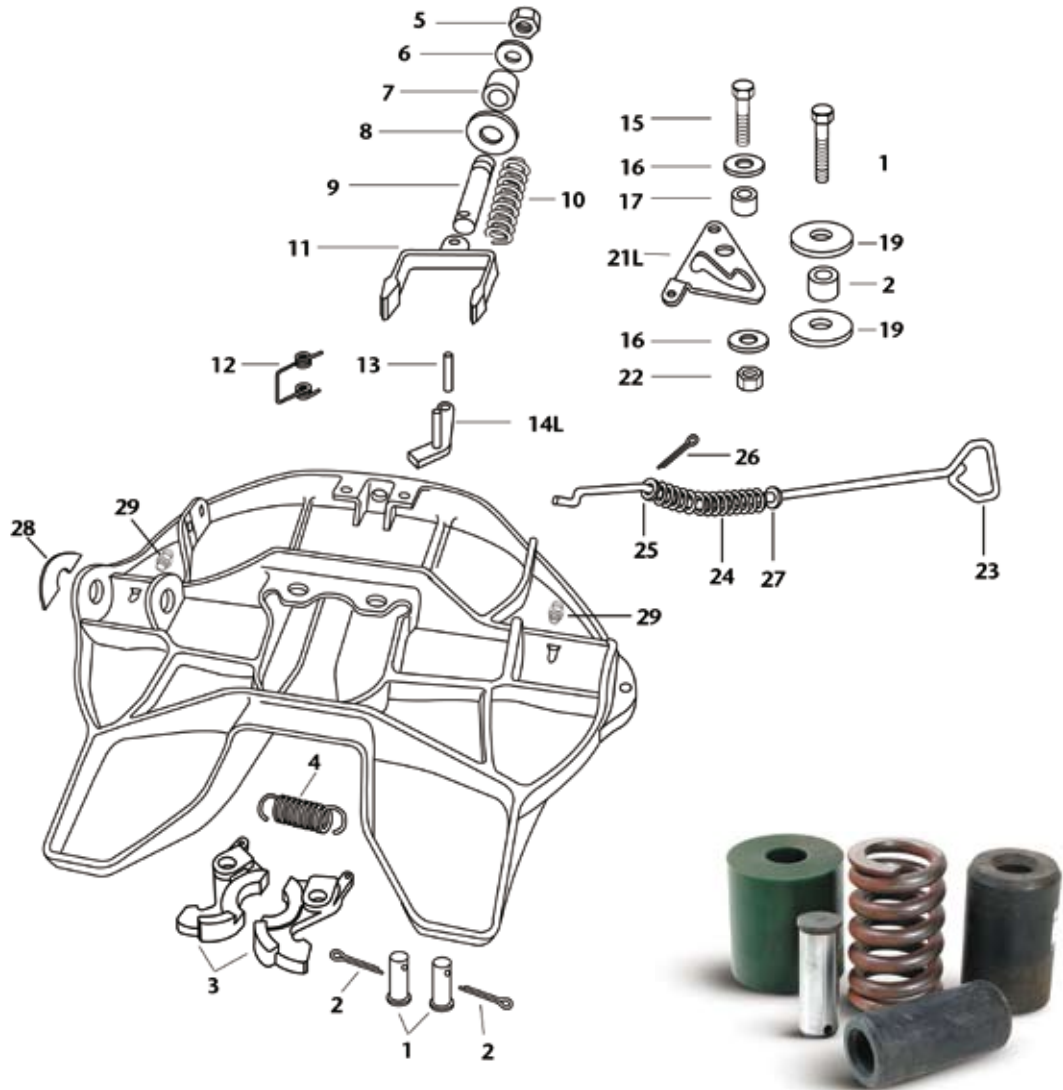
All of the required parts in any kit **MUST** be used. **DO NOT** substitute other or used parts. Improper part combinations can cause product malfunction.

Do not attempt repair or service if the top plate is cracked or distorted.

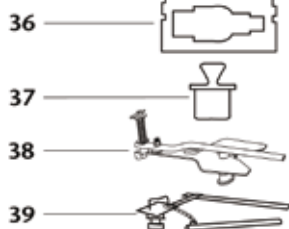
The top plate must be replaced.

All fifth wheel maintenance must be performed by a qualified service technician using proper tools and safe procedures. Use only genuine Holland parts.

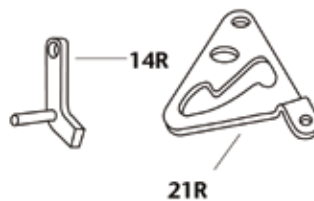
## FW331/351 XA3501



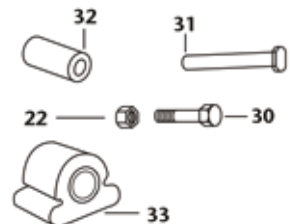
### ACCESSORIES



### NOTE: FOR RIGHT HAND RELEASE.

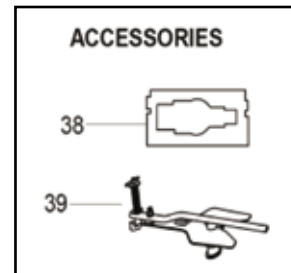
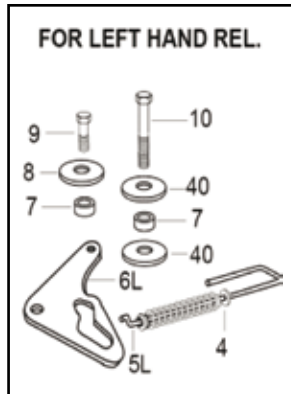
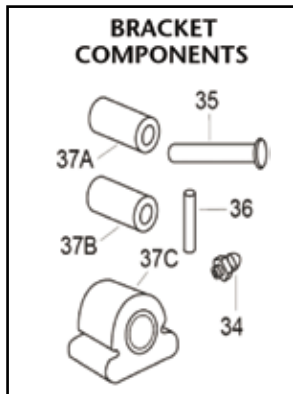
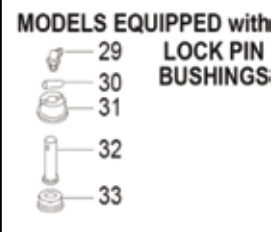
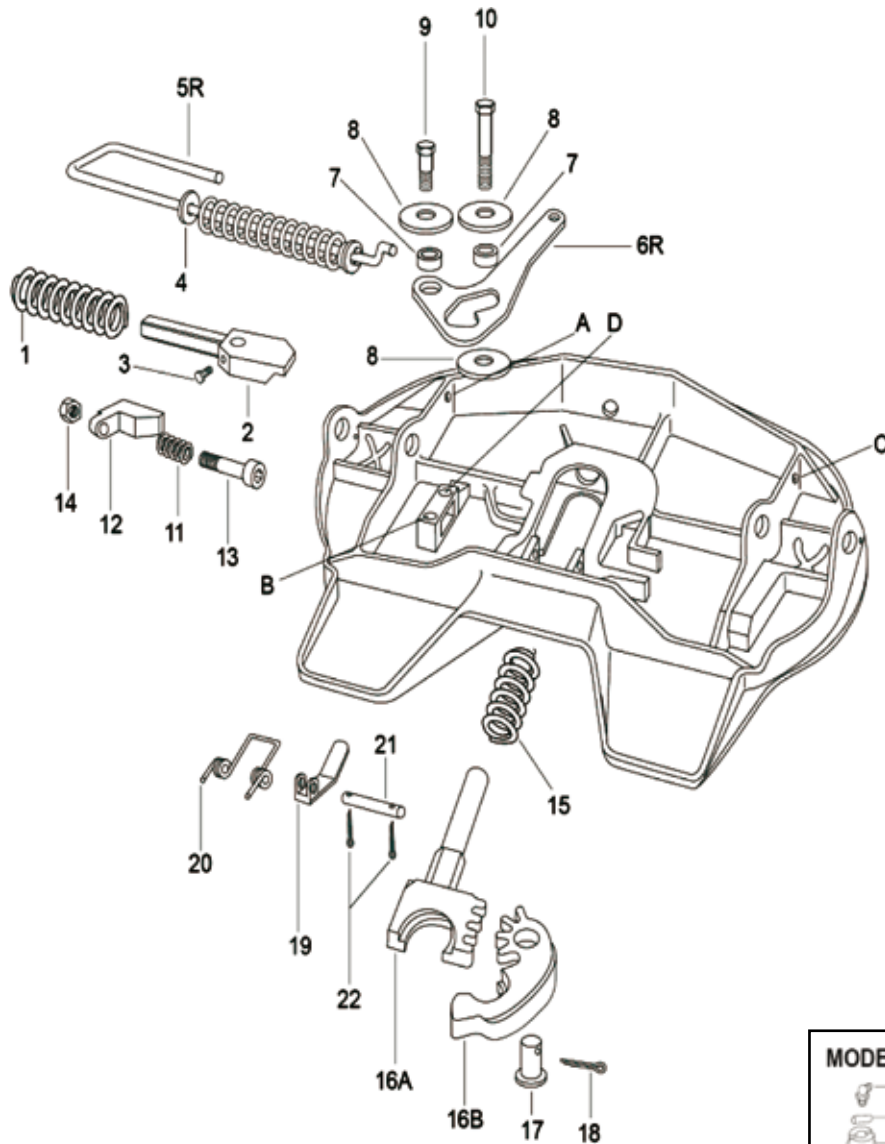


### BRACKET COMPONENTS

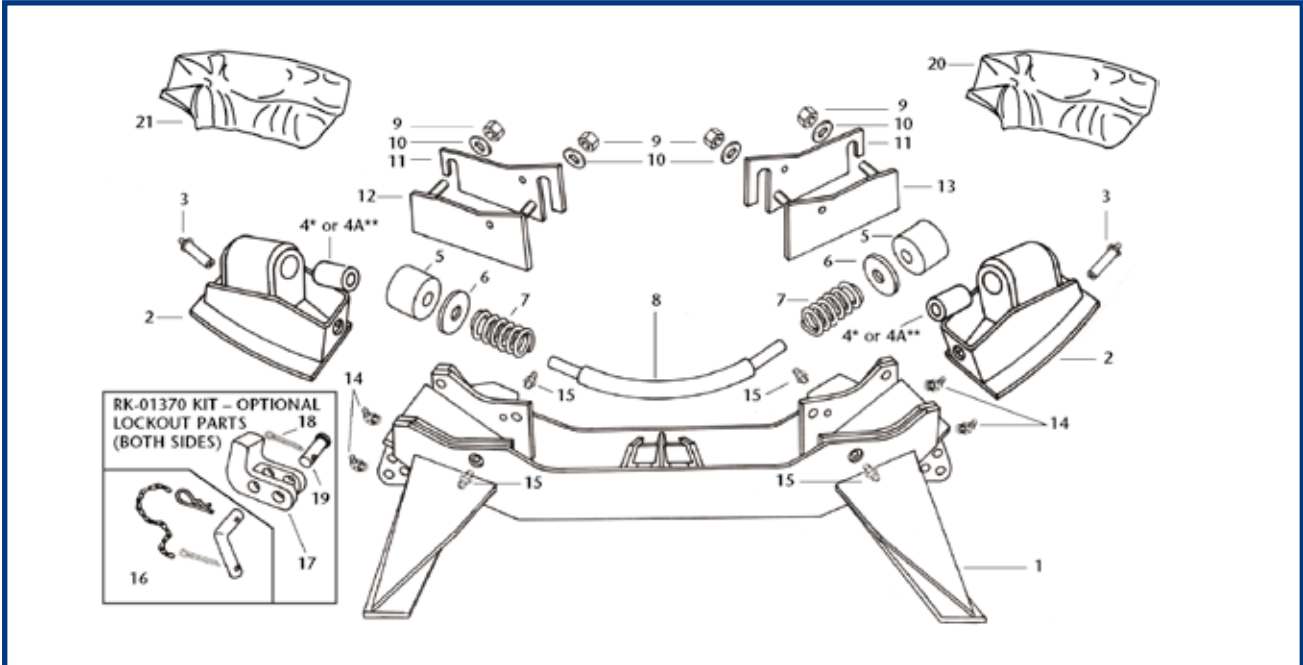


# FIFTH WHEELS

## FW2000 XA-2000 SERIES PARTS BREAKDOWN

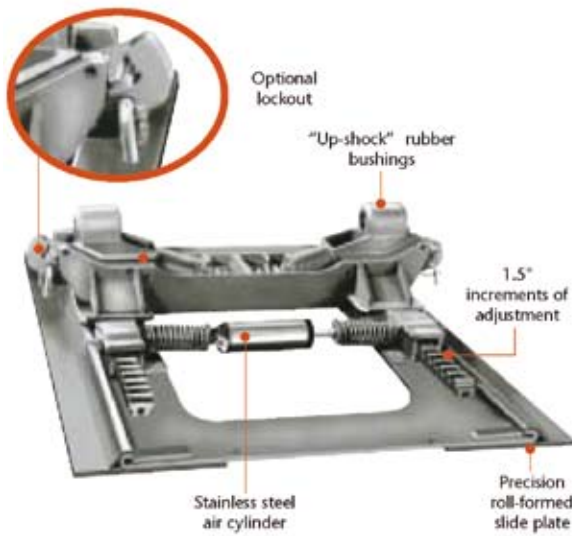


## PARTS BREAKDOWN KOMPENSATOR FW8



## PARTS BREAKDOWN FOR KOMPENSATOR AIR SLIDING FW8 FW35 FW7090

Sliding Kompensators  
Air Slide Release



Manual Slide Release

