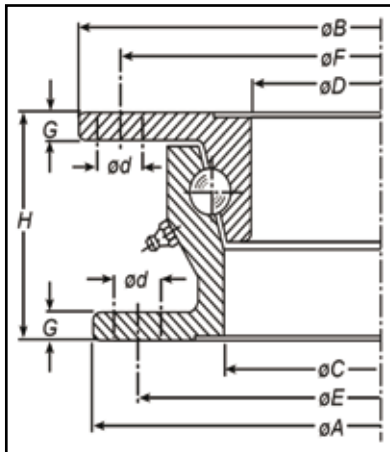
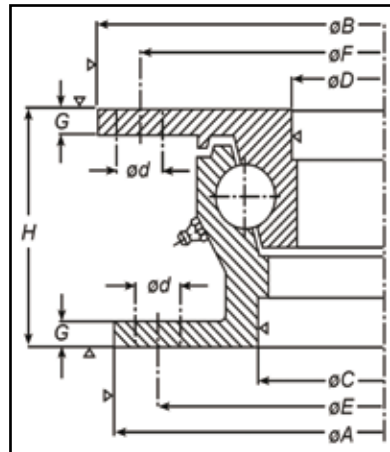


## BALL RACE



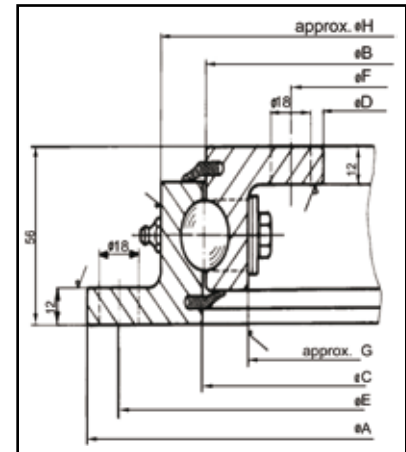
### HE

For drawbar trailers and special trailers.



### SO

For drawbar trailers and special trailers.

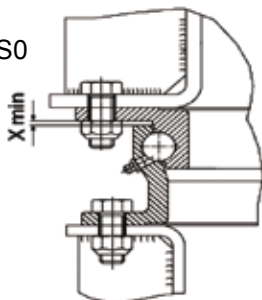


### KDL

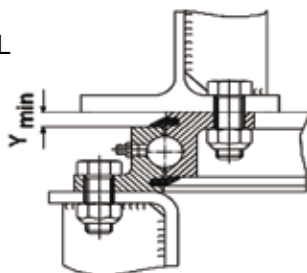
Low profile ballrace models

Models	A (mm)	B (mm)	C (mm)	D (mm)	E (mm)	F (mm)	G (mm)	H (mm)	d (mm)	Weight approx. (kg)	Axial Load (kN)
HE 4	685	700	588	567	657	671	9	80		32	30
HE 5	880	895	783	762	852	866	9	80	16	43	50
HE 18-1000	100	1008	886	859	960	974	10	90		63	80
HE 18	1100	1108	986	956	1060	1074	10	90	18	69	100
HE 1000-22	1000	1008	886	859	960	974	10	90		63	100
HE 1200-22	1200	1208	1086	1059	1160	1174	10	90	18	76	130
SO 1000-24	987	1000	871	844	952	966	10	90		72	120
SO 1100-24	1095	1108	979	952	1060	1074	10	90	18	82	160
KDL 900-5	950	839	942	732	920	762	801	881		50	180
KDL 900-6	1050	939	942	832	1020	862	901	981		56	210

### HE SO



### KDL



- JOST turntables are provided only with a light basic lubrication. Prior to commissioning relube thoroughly via all grease nipples using a high quality lithium based grease for all roller bearings (e.g. BP LC2).
- The turntable is to be greased at least every 8 - 10,000 km or once a month, using LC2 grease whilst at the same time pivoting the fifth wheel such that a bead of grease escapes from the running gaps around the entire circumference in the case of the HE and SO series or at the sealing lips in the case of the KDL series. During vehicle inspections check bolt torques.
- The maximum permissible axial play of 3.5 mm is reached if the horizontal air gap, measures at any point on the circumference.

HE + SO X = 0.0mm

HEW + SOW X = 2.2mm

KDL Y = 7.5mm