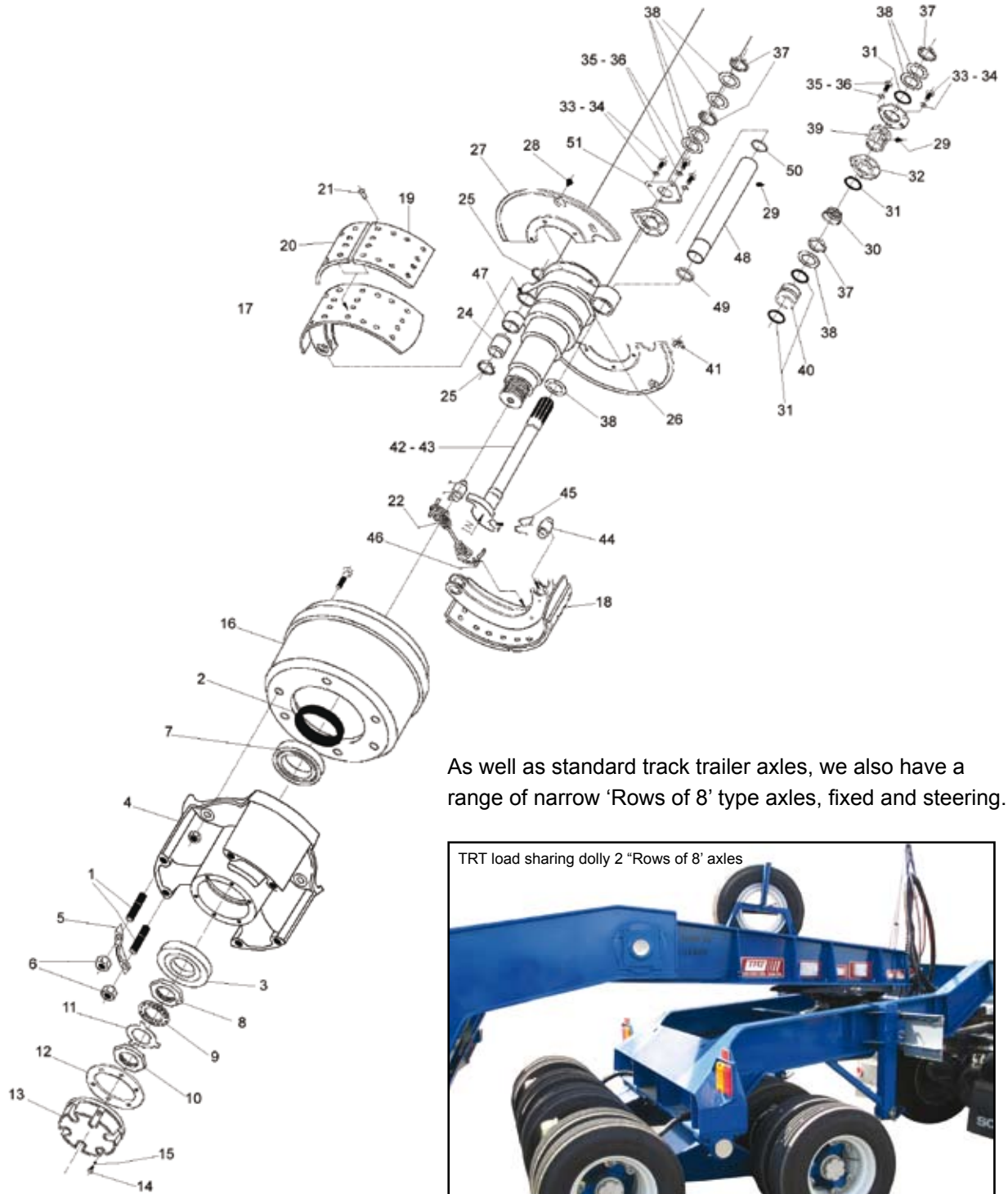


## LOW LOADER 12-1/4" - 311mm BRAKE

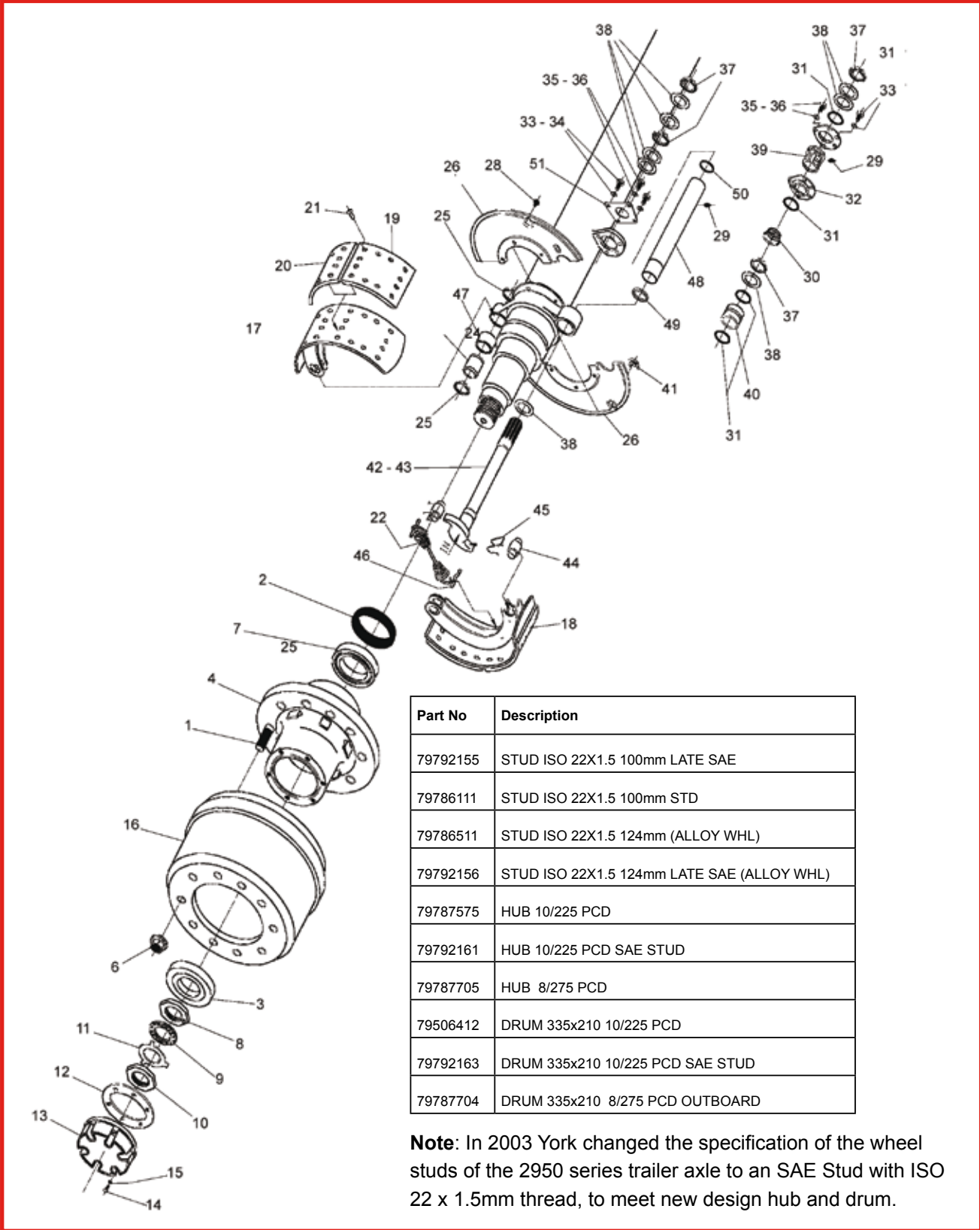


As well as standard track trailer axles, we also have a range of narrow 'Rows of 8' type axles, fixed and steering.



# TRAILER AXLE

## 2950



Part No	Description
79792155	STUD ISO 22X1.5 100mm LATE SAE
79786111	STUD ISO 22X1.5 100mm STD
79786511	STUD ISO 22X1.5 124mm (ALLOY WHL)
79792156	STUD ISO 22X1.5 124mm LATE SAE (ALLOY WHL)
79787575	HUB 10/225 PCD
79792161	HUB 10/225 PCD SAE STUD
79787705	HUB 8/275 PCD
79506412	DRUM 335x210 10/225 PCD
79792163	DRUM 335x210 10/225 PCD SAE STUD
79787704	DRUM 335x210 8/275 PCD OUTBOARD

**Note:** In 2003 York changed the specification of the wheel studs of the 2950 series trailer axle to an SAE Stud with ISO 22 x 1.5mm thread, to meet new design hub and drum.