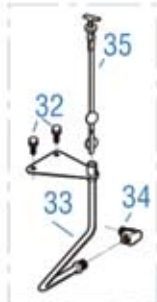
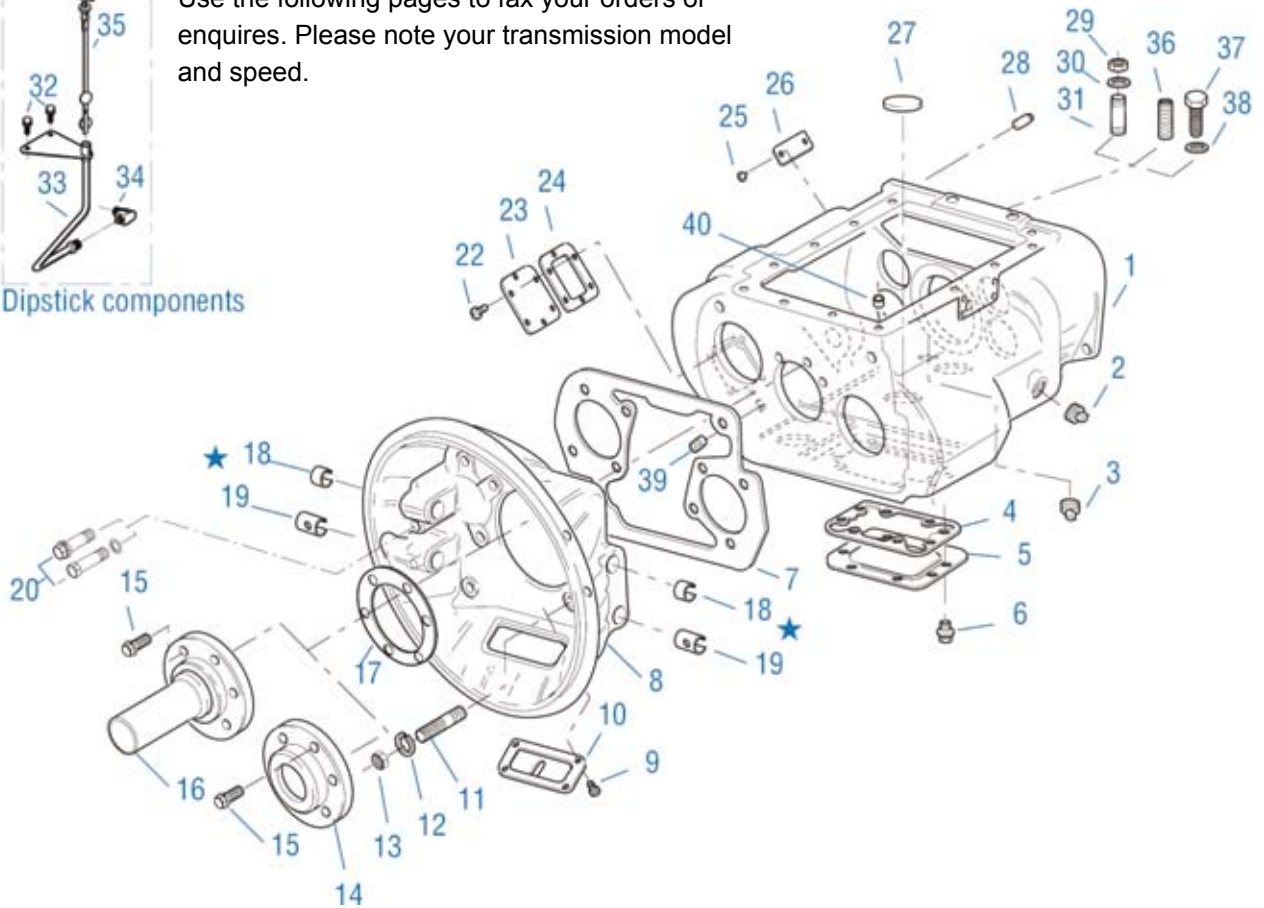


CASE ASSEMBLY

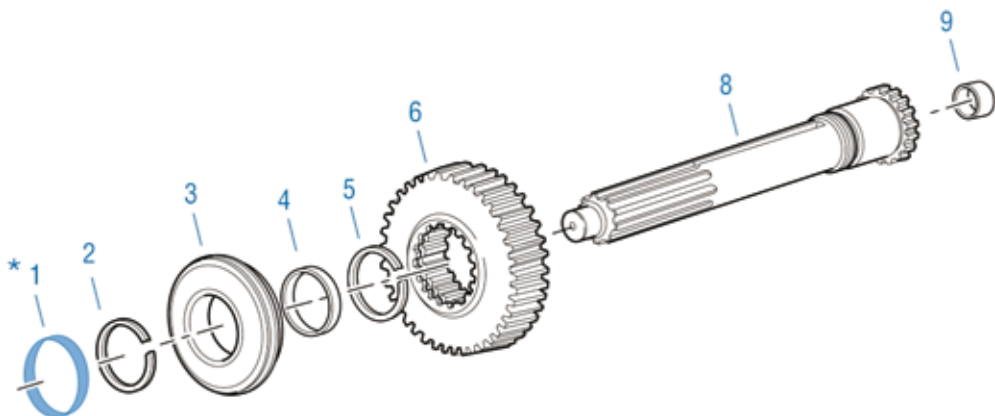


Dipstick components

Use the following pages to fax your orders or enquires. Please note your transmission model and speed.



INPUT SHAFT & DRIVE GEAR

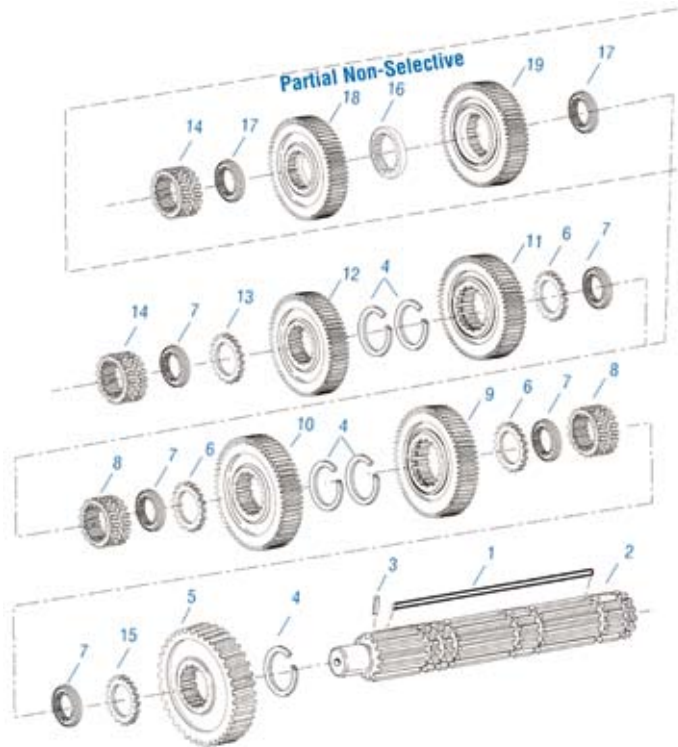


Pictures relate to all models except where noted.

TRANSMISSION

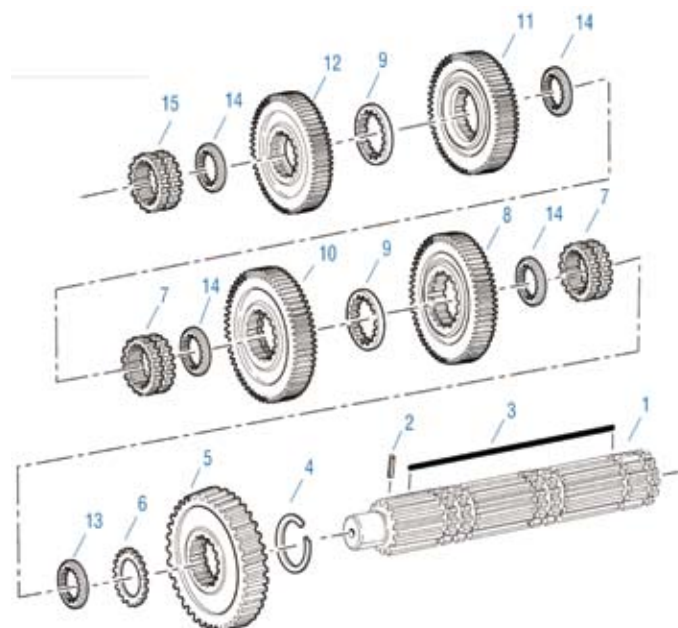
MAINSHAFT ASSY

13/18 SPEED



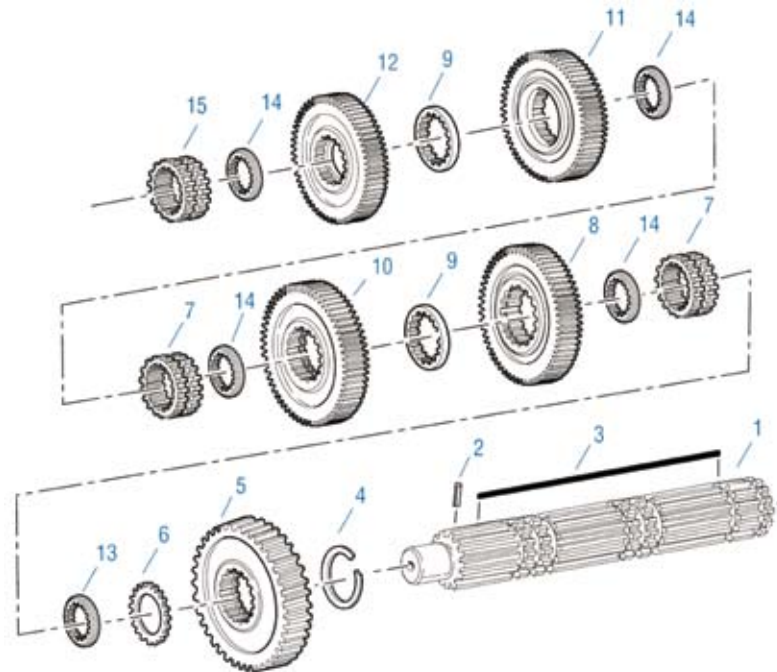
NON-SELECTIVE MAINSHAFT ASSY

13 SPEED



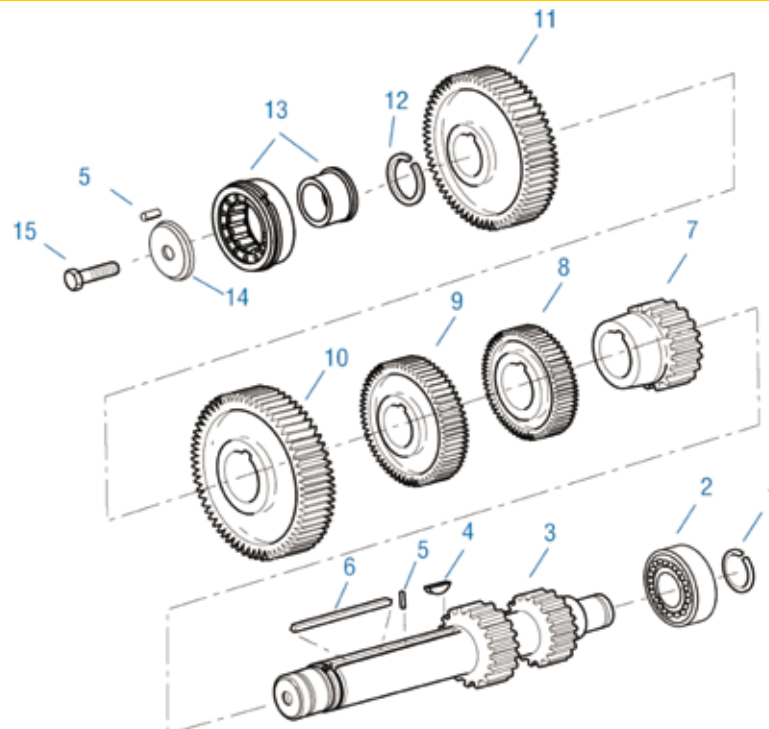
MAINSHAFT ASSY

15 SPEED



COUNTERSHAFT ASSY

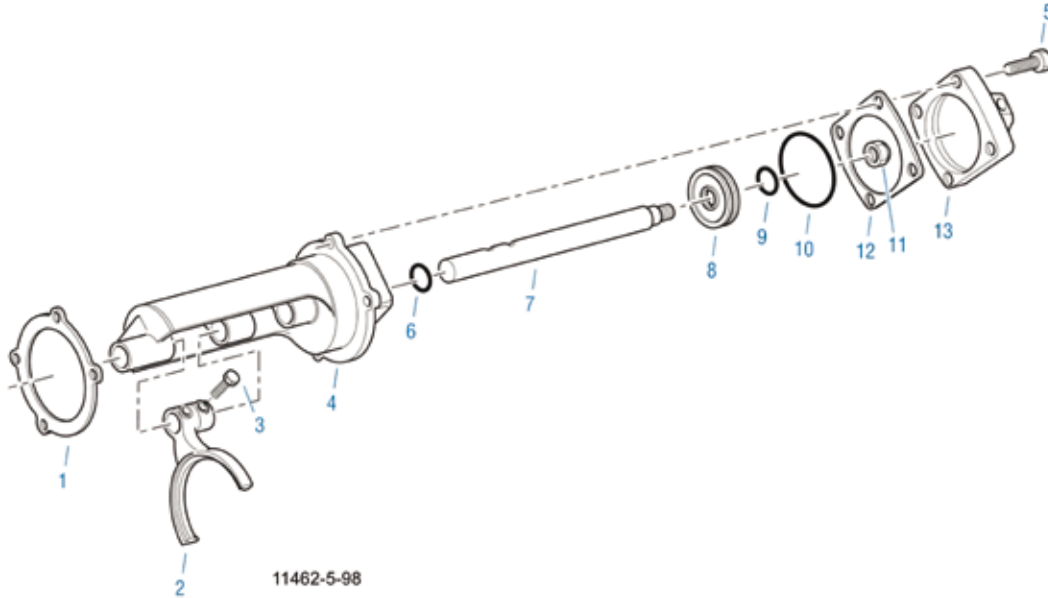
ALL SPEEDS



TRANSMISSION

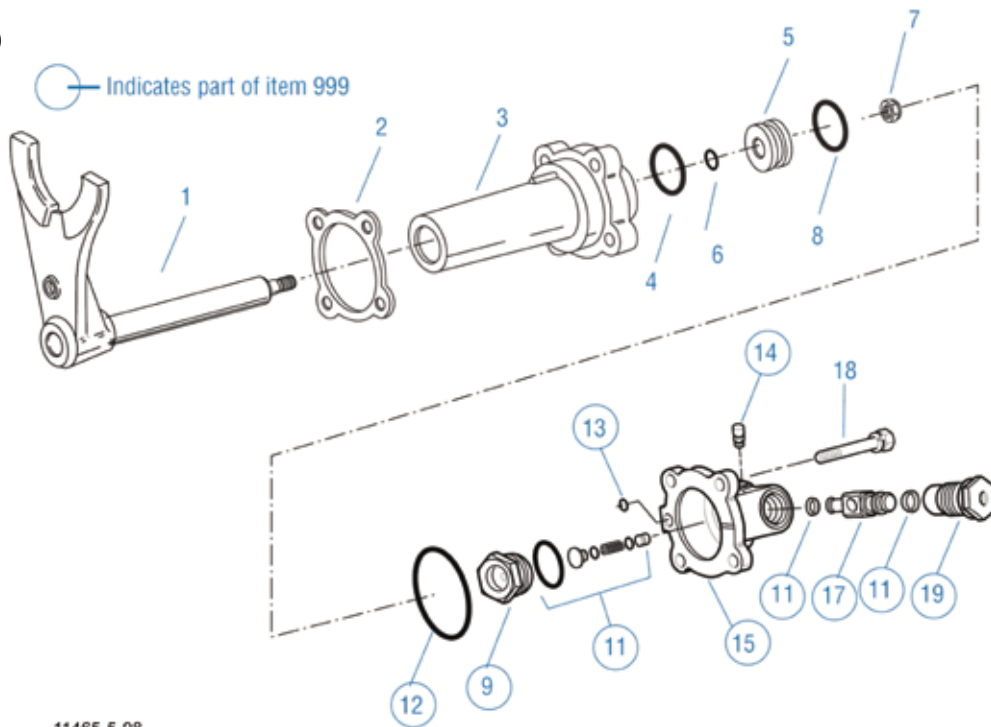
RANGE CYLINDER

13/18 SPEED



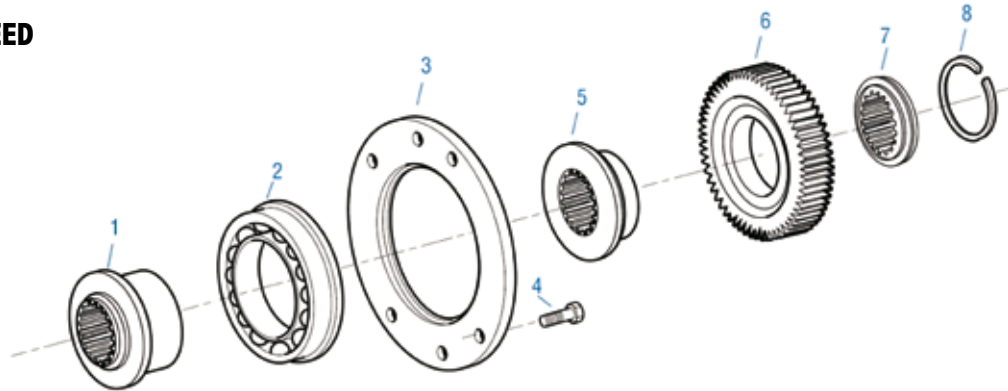
SPLITTER CYLINDER

13/18 SPEED



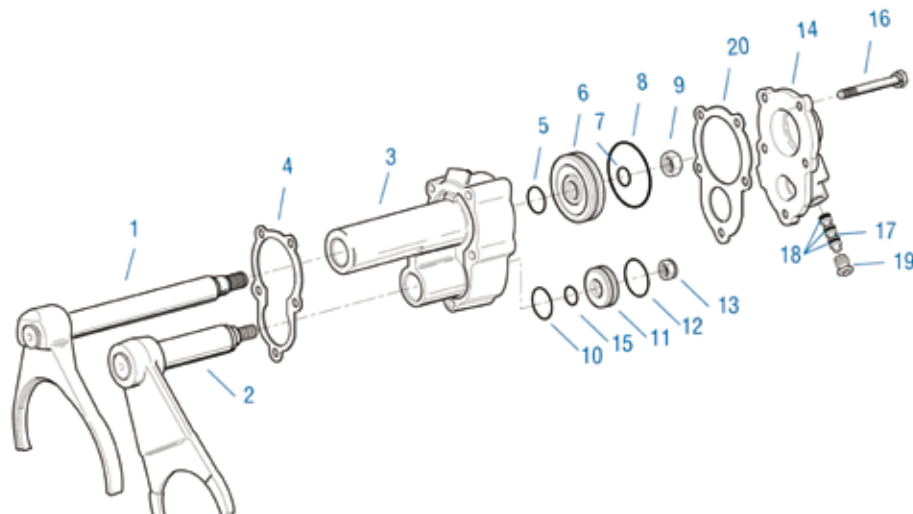
AUXILIARY DRIVE GEAR

13/18 SPEED



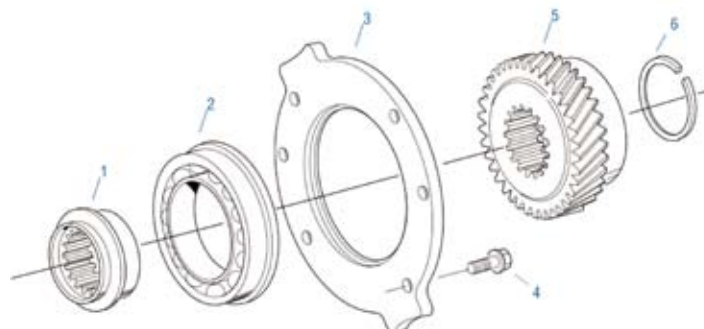
RANGE CYLINDER

15 SPEED



AUXILIARY DRIVE GEAR

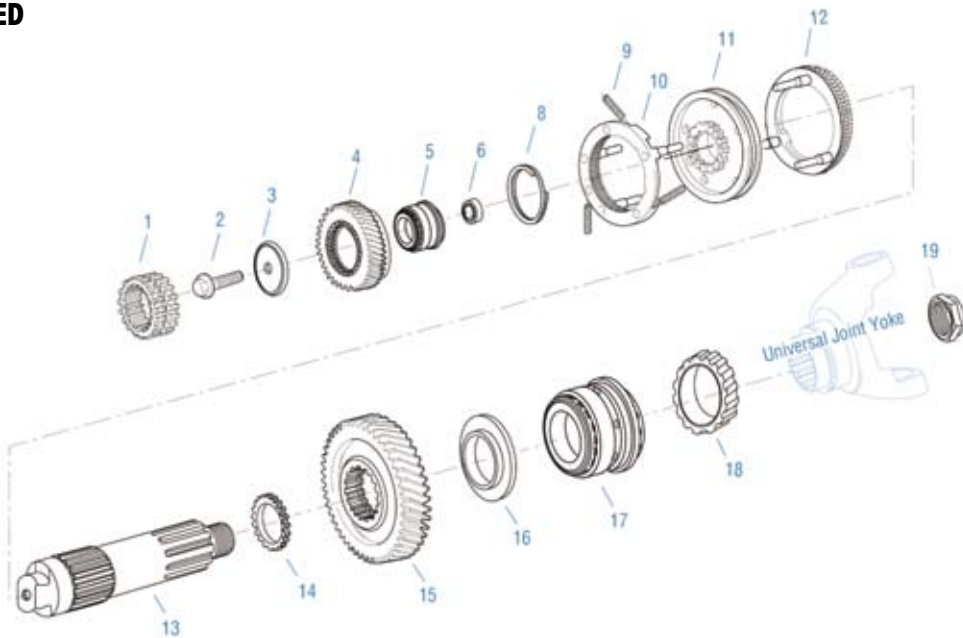
15 SPEED



TRANSMISSION

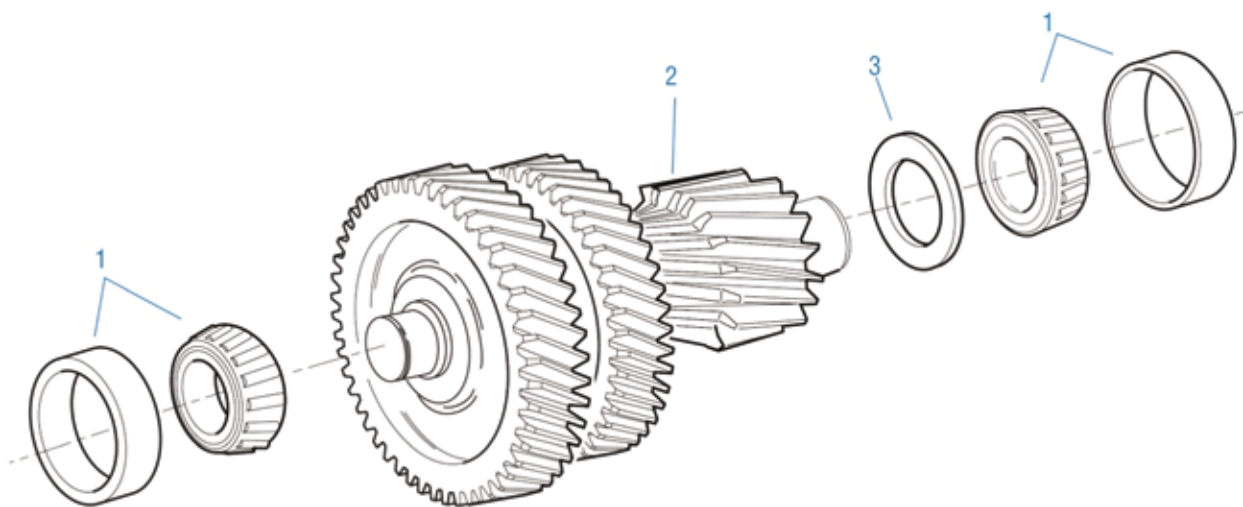
AUXILIARY MAINSHAFT

13/18 SPEED



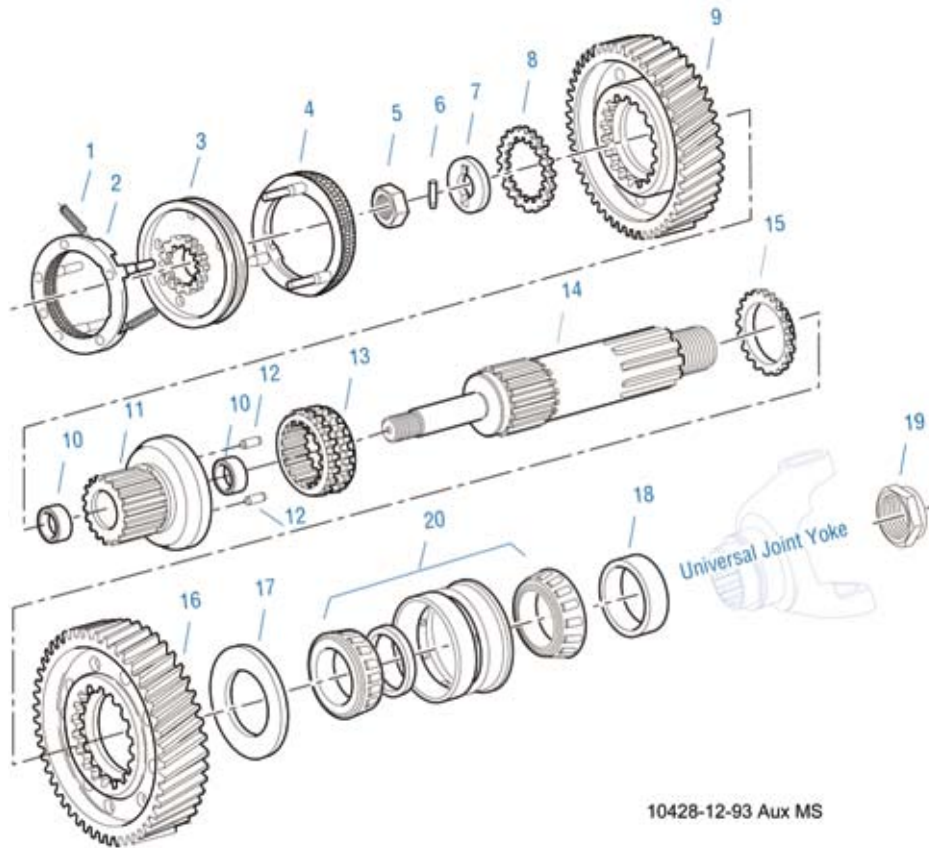
AUXILIARY COUNTERSHAFT

13/18 SPEED



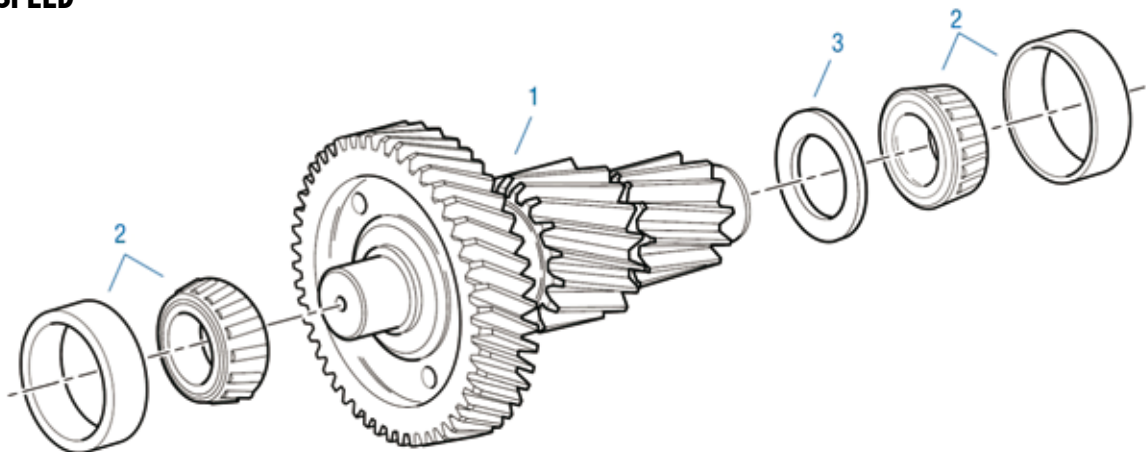
AUXILIARY MAINSHAFT

15 SPEED



AUXILIARY COUNTERSHAFT

15 SPEED



TRANSMISSION

AUXILIARY CASE ASSEMBLY

