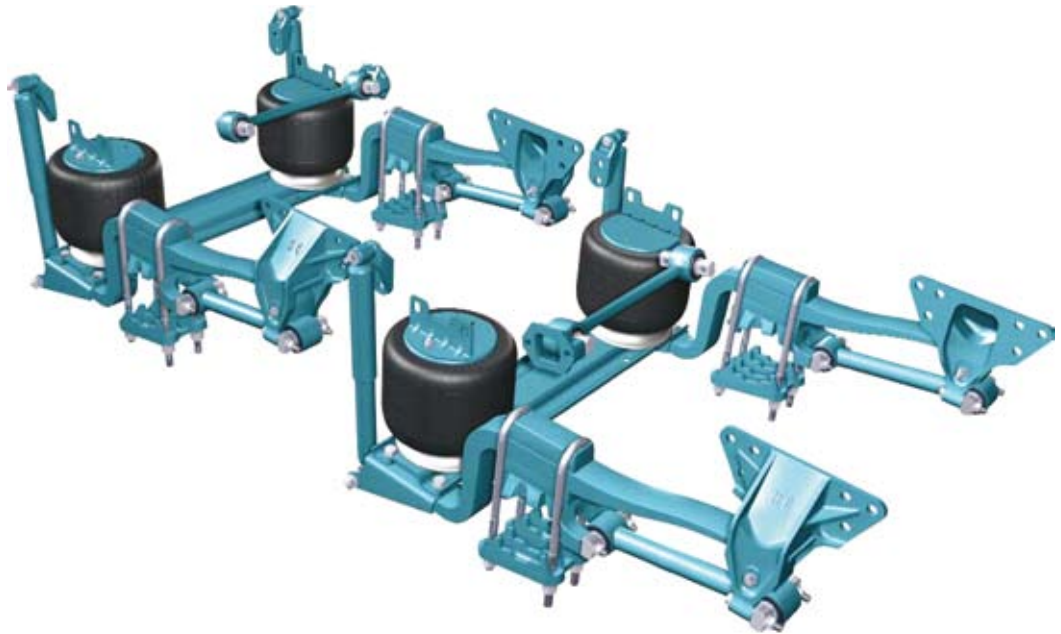


## HAS SERIES



### **Hendrickson HAS Air suspension.**

Lightweight for Line-haul, rugged durability for on- and off-highway applications.

Heavy-duty shocks incorporate rebound spring which limits rapid shock extension during acceleration

HAS 400, 402, 460: cross channels are formed from stamped steel

HAS 40LH: extruded aluminum alloy cross channels reduces weight while maintaining strength

Large volume air springs with rolling lobe design constantly adjust to changing road conditions to deliver superior ride quality



### **AirTek**

A series of light weight integrated axle suspensions and steering systems

# SUSPENSION

## HAS SUSPENSION

